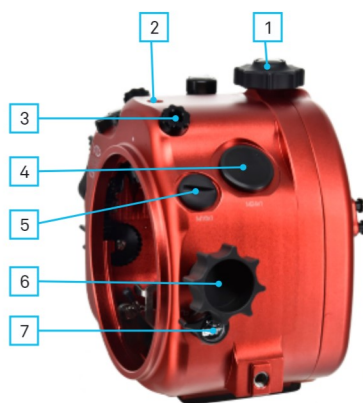


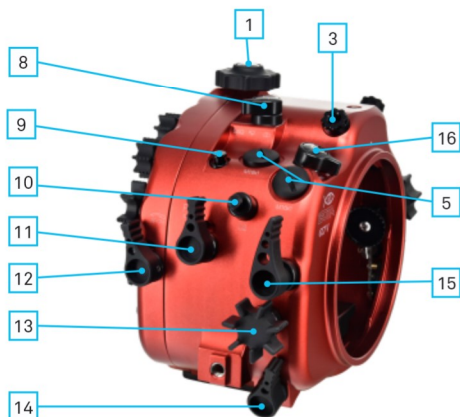
# IDENTIFICATION OF THE PARTS: FOR ALPHA 7 V HOUSING

Before inserting the camera, check that the PHOTO/VIDEO/S&Q command is on the same position as the housing.

1. Locking knob
2. Hole M8
3. Fiber optic connection
4. Hole M24x1
5. Hole M16x1
6. Zoom gear
7. Port safety lever



EN



8. FOTO/VIDEO/ S&Q - Still/Movie/S&Q dial
9. Lock button rear dial R
10. C2 button
11. REC - Movie lever
12. AF-ON lever
13. Front dial
14. Lens release button
15. Shutter lever
16. ON/OFF switch

17. C3 button
18. Menu button
19. Viewfinder
20. Humidity sensor led
21. Mode dial
22. Rear dial L
23. Rear dial R
24. AEL button
25. Multi-selector buttons
26. Playback button
27. C4/Delete button
28. Control wheel buttons
29. Fn button
30. C1 button

