

# NA - Z50II

For Nikon Z50II with Nikkor Z DX 16-50 Lens

PN 17231

**User Manual**  
Housing  
APS-C- MIL

Introduction	2
Package Contents	2
Important Instructions	3
Part Names and Functions	4
Housing Mount	7
Opening the housing	8
Closing the housing	9
Preparation for Use	10
Optional Accessories	13
Care/Storage	14
Warranty	15
Specifications	16

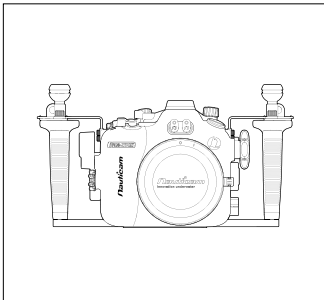
# INTRODUCTION

Thank you for purchasing this Nauticam product.

Before using the product, please read this manual thoroughly to familiarize yourself with full scope of functions on the product as well as ensuring that you will use the product correctly.

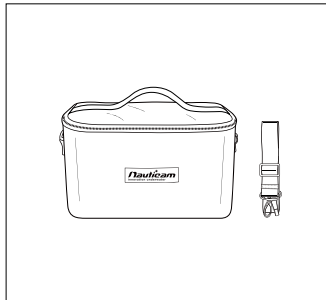
# PACKAGE CONTENTS

Make sure that you have all the included items listed below before using this product. If some items are missing or damaged, contact your local Nauticam dealer.

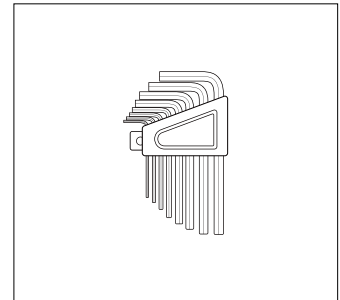


NA-Z50II

(2 x Handles with Mounting Balls, 1 x Housing Cap,  
2 x Optical Fiber Mount Caps,  
2 x Stainless Steel Handle Brackets)



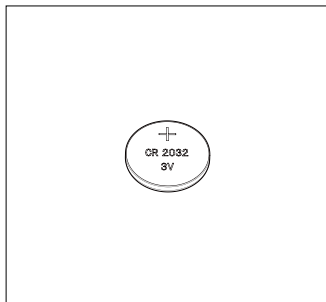
Padded Travel Case



Allen key set

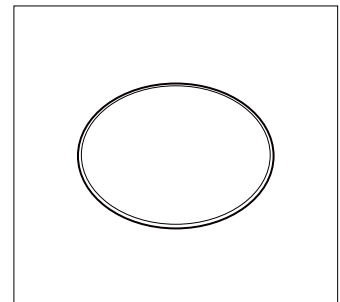


Lubricant



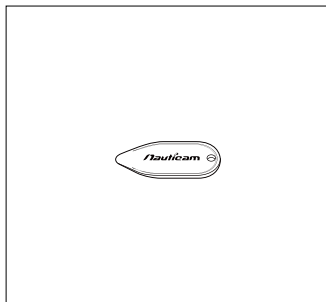
Panasonic CR2032 Battery

(pre-installed for Moisture Alarm)



Spare Main O-ring  
#90133

After purchase, we suggest that you reuse all packaging materials for future travelling.



O-ring Remover

# IMPORTANT INSTRUCTIONS

1

Water-tight test of the housing (without camera inside) before usage is recommended as well as any O-ring renewal and port change.

2

Do not seal the housing when travelling by air as this may lead to a pressure difference between the atmosphere and inside the housing.

3

Only the accessories specified by Nauticam must be used. Third-party accessories may result in malfunctions or damage to the product.

4

Use only Nauticam lubricant on silicone rubber O-ring.

5

Do not stretch any O-rings excessively. Only remove it using Nauticam O-ring remover.



6

Discontinue use immediately when there is a sign of leakage.

7

Do not attempt to remove parts of the housing yourself. Repairs must be done at authorized service centers only.

8

The housing should be positioned on the a stable and safe surface on land.

9

Do not expose the housing in direct sunlight for a prolonged period.

10

Do not open the housing in wet or sandy environment. Protect the housing from moisture and debris in order to prevent malfunction or leakage.

11

Prevent any sand or dust or water penetration inside the housing. Be extra careful when changing lens and inserting or removing the camera.

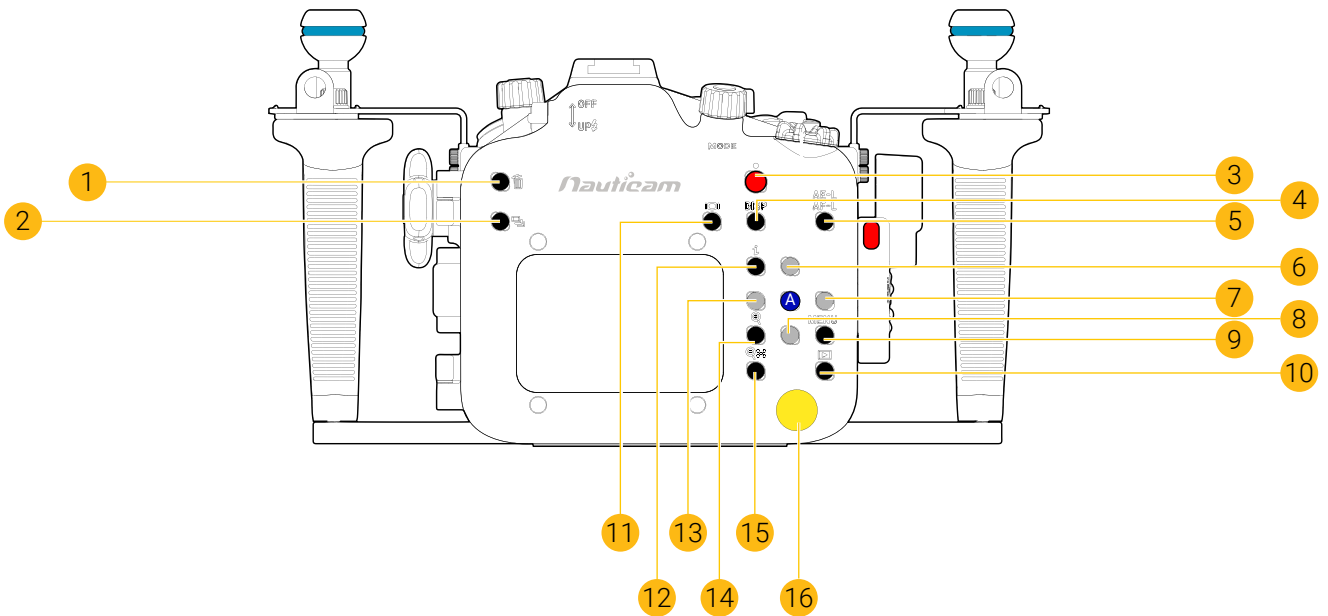


12

This product is not intended for use by children, or persons with reduced physical, sensory or mental capabilities, or lack of experience and knowledge, unless they are supervised and/or given instruction by a responsible person concerning use of the product to ensure that they can use it safely.

# PART NAMES AND FUNCTIONS

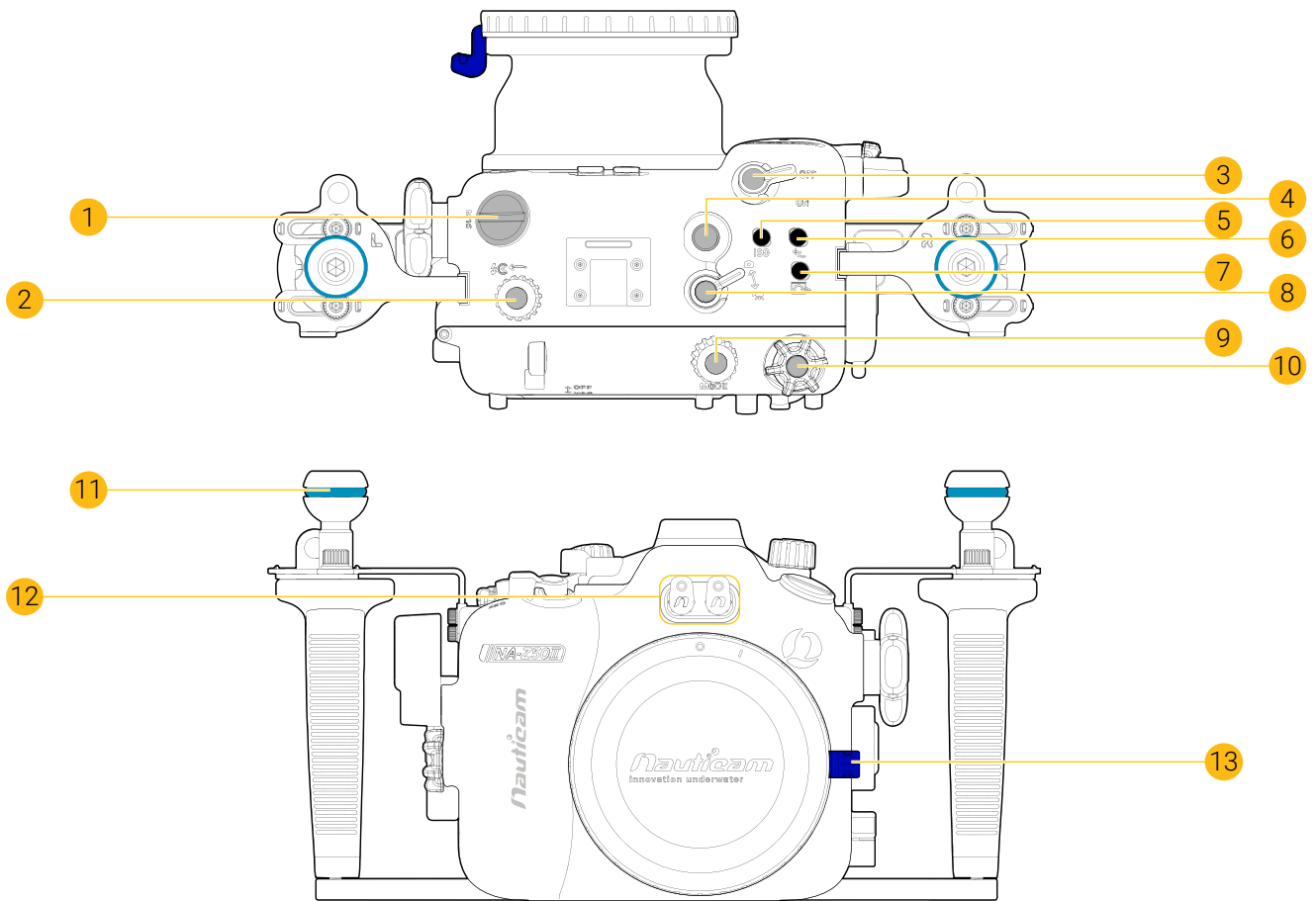
Rear View



- |    |                                     |    |                                |
|----|-------------------------------------|----|--------------------------------|
| 1  | Delete button                       | 2  | Release mode/Self-timer button |
| 3  | REC button                          | 4  | Display button                 |
| 5  | AE-L/AF-L button                    | 6  | Up button                      |
| 7  | Right button                        | 8  | Down button                    |
| 9  | Menu button                         | 10 | Playback button                |
| 11 | Monitor mode button                 | 12 | <i>i</i> button                |
| 13 | Left button                         | 14 | Playback zoom in button        |
| 15 | Playback zoom out/thumbnails button | 16 | Moisture alarm window          |
| A  | Menu/Set button                     |    |                                |

# PART NAMES AND FUNCTIONS

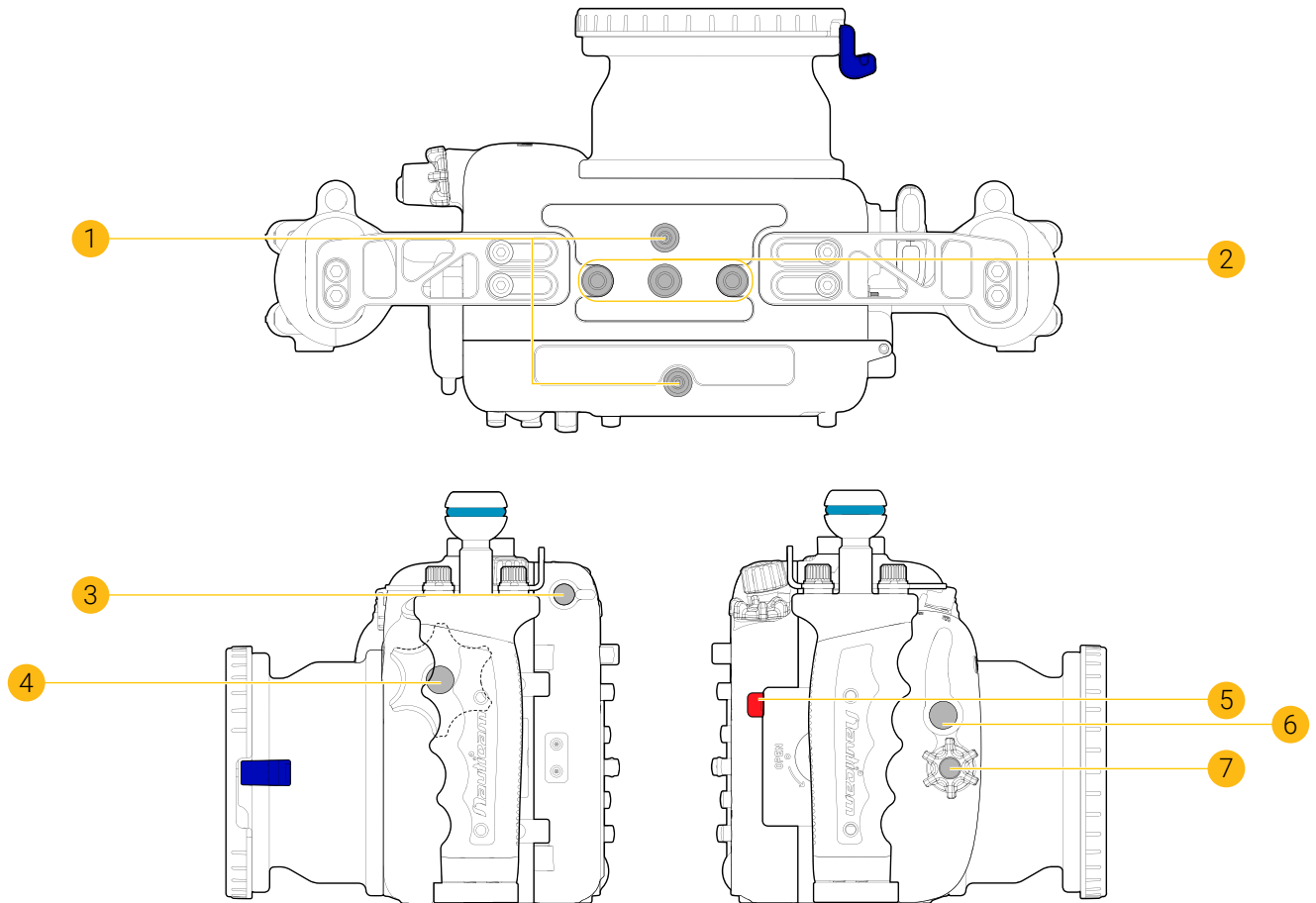
Top + Front Views



- |    |                                 |    |                                |
|----|---------------------------------|----|--------------------------------|
| 1  | M16 Accessory port              | 2  | Flash pop-up dial              |
| 3  | Main switch                     | 4  | M10 Accessory port             |
| 5  | ISO button                      | 6  | Exposure compensation button   |
| 7  | Picture Control button          | 8  | Photo/Movie lever              |
| 9  | Mode dial                       | 10 | Main command dial              |
| 11 | Accessory mounting ball         | 12 | Optical fiber cable connection |
| 13 | Bayonet mount II release button |    |                                |

# PART NAMES AND FUNCTIONS

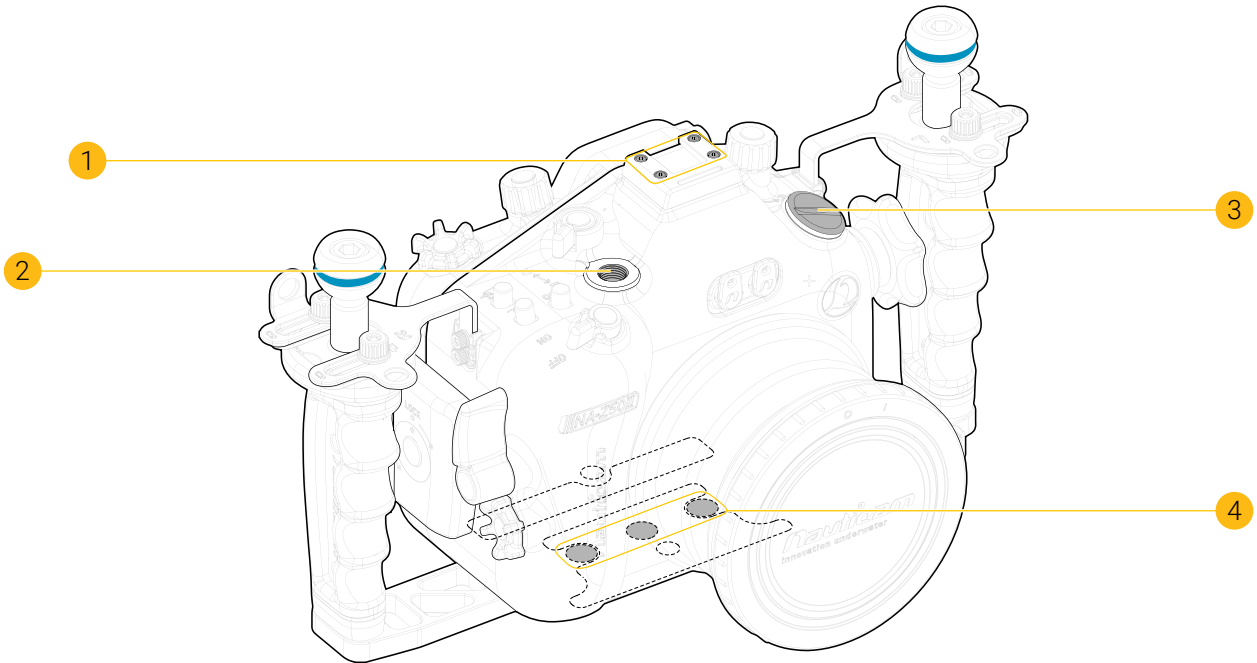
Back + Side Views



- 1 Sacrificial zinc anodes
- 3 Flash On/Off lever
- 5 Housing unlock button
- 7 Sub-command dial

- 2 1/4" Threaded tripod holes
- 4 Zoom knob
- 6 Shutter release lever

# HOUSING MOUNT



## Housing mount

- 1 Cold shoe
- 2 M10 Accessory port
- 3 M16 Accessory port
- 4 1/4" -20 mounting threads

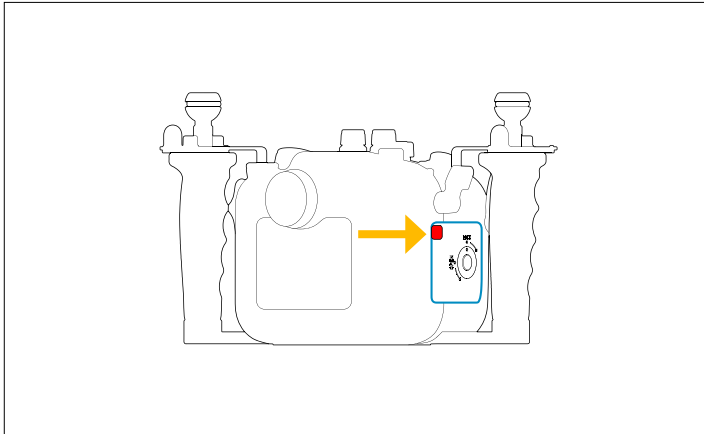
## Compatible accessories

- |       |                                    |
|-------|------------------------------------|
| 25311 | Strobe mounting ball for cold shoe |
| 25312 | Light mounting stem for cold shoe  |
| 25221 | M10 Strobe mounting ball           |
| 25224 | M10 Strobe mounting ball with hole |
| 25625 | M16 Vacuum Valve II                |
| 17954 | Universal tripod plate             |
| 17960 | Universal quadra-pod plate         |

# OPENING THE HOUSING

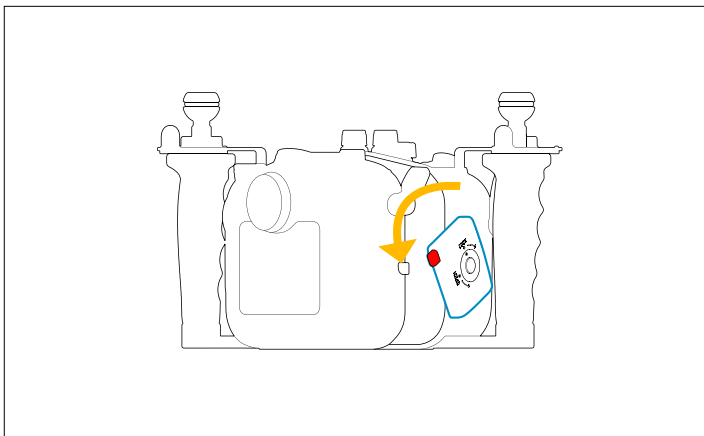
\* drawings as illustrations only

1



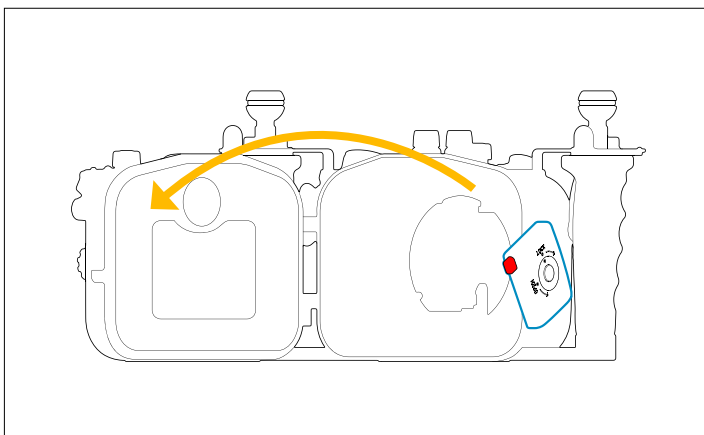
depress housing unlock button

2



turn housing lock latch  
anti-clockwise to open the  
housing

3



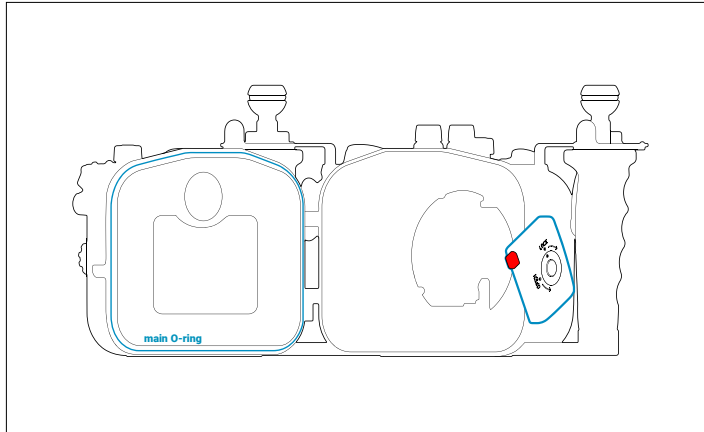
flip open the back housing  
when lock latch is aligned to  
'open' position



# CLOSING THE HOUSING

\* drawings as illustrations only

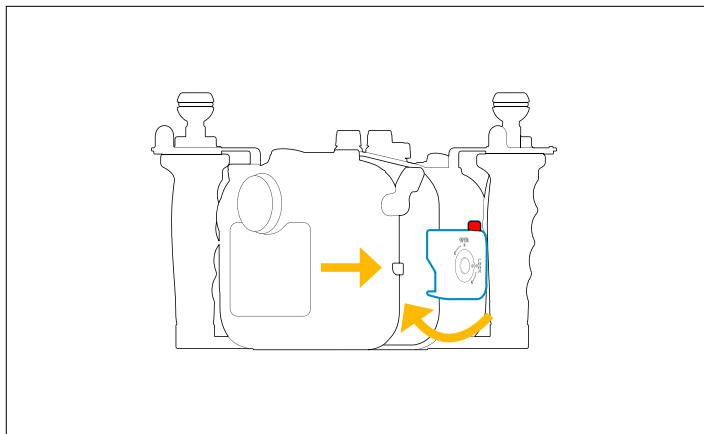
1



before closing the housing, clean and lubricate the main O-ring

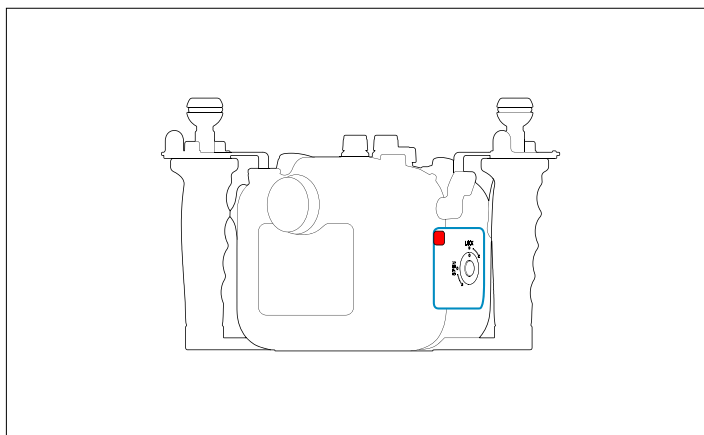
make sure nothing is caught between front and back housing and that they are fully aligned before locking

2



insert the housing shaft into the shaft hole and then rotate the lock latch clockwise until you hear and feel it click into place

3



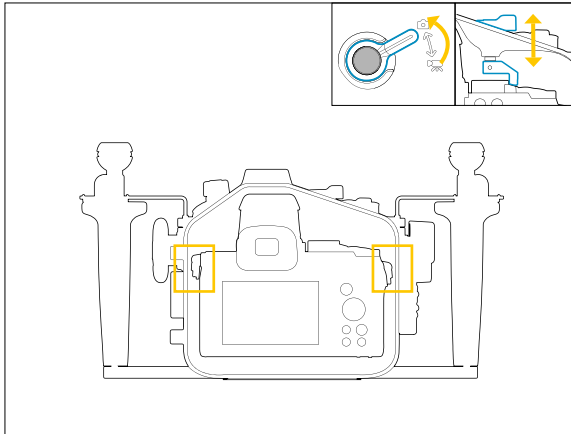
housing locked in place securely

# PREPARATION FOR USE

\* drawings as illustrations only

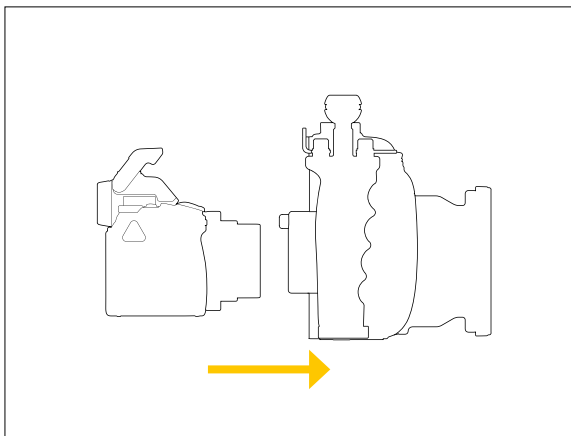
Installing the Camera

1



\* turn the Photo/movie lever to Photo position then lift up the Photo/movie lever before installing the camera  
\* make sure the Photo/movie lever is aligned with camera control

\* when placing the camera inside the housing, be cautious that the camera's neck strap holders do not come into contact or scratch with the o-ring groove area



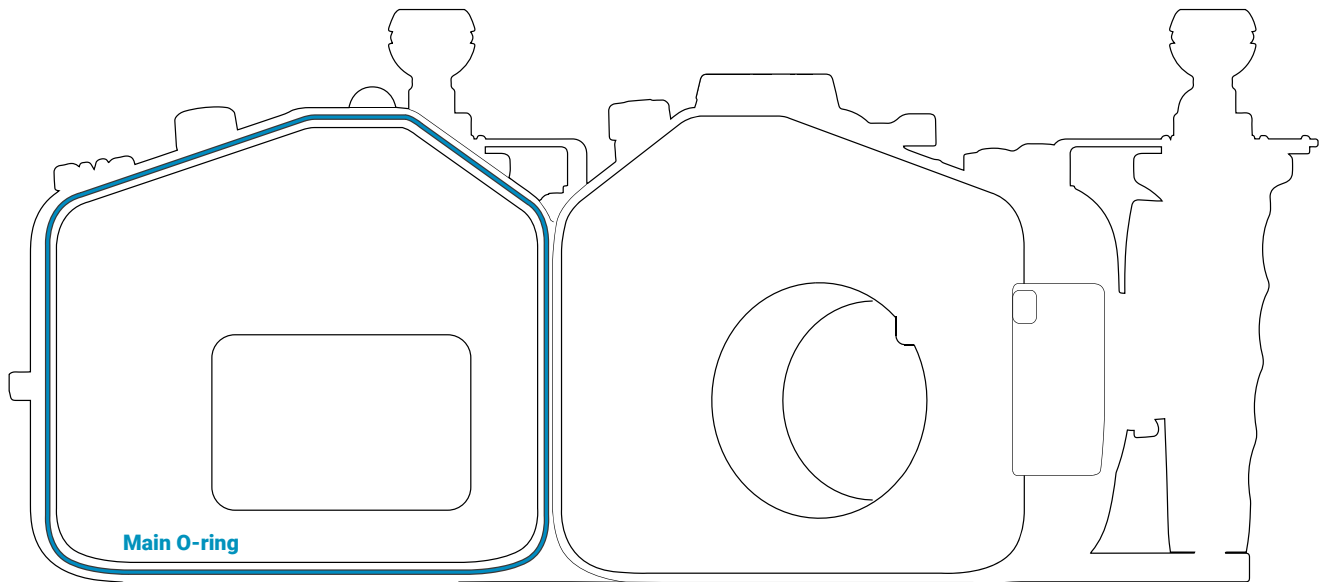
Place the camera into the housing

Then press down the Photo/movie lever and make sure it is aligned with camera control

# PREPARATION FOR USE

\* drawings as illustrations only

Coating housing O-ring

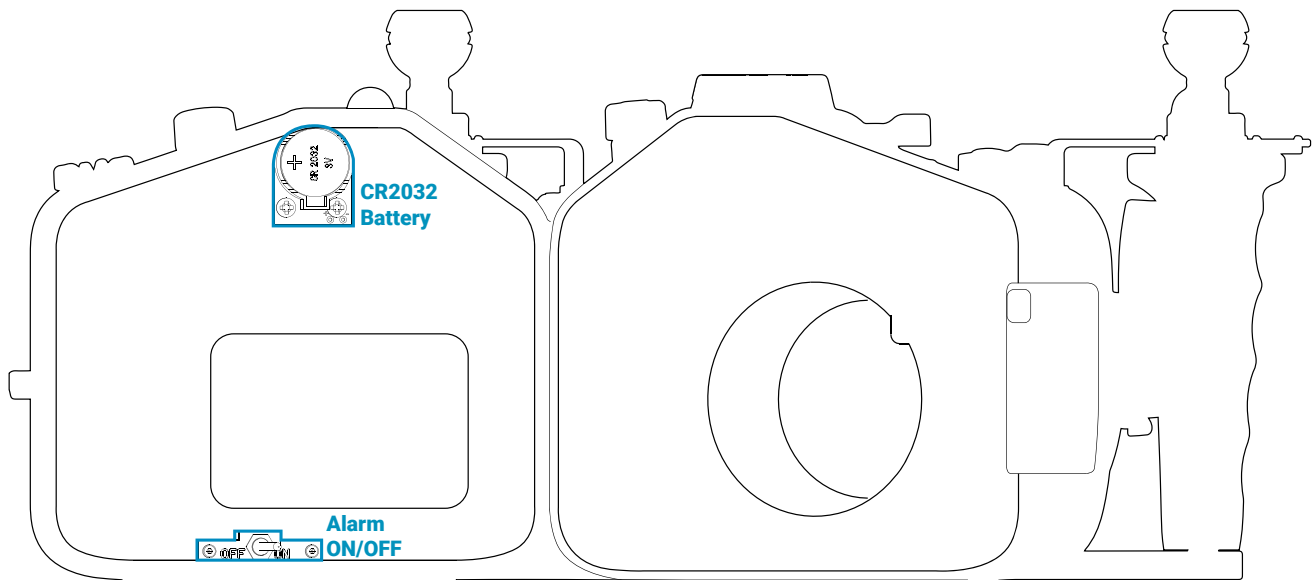


- 1  
remove the main O-ring using an O-ring remover
  
- 2  
clean the O-ring groove with a cloth and ensure that it is free from salt or other foreign materials
  
- 3  
lightly coat it with provided lubricant
  
- 4  
return the main O-ring by slowly pressing from one corner to the whole perimeter

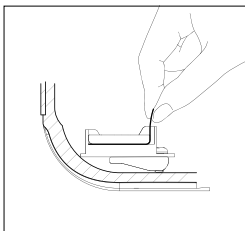
# PREPARATION FOR USE

\* drawings as illustrations only

Setting up moisture alarm

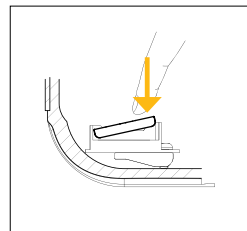


1



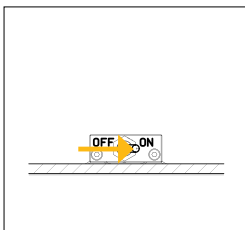
remove battery  
insulation film

2



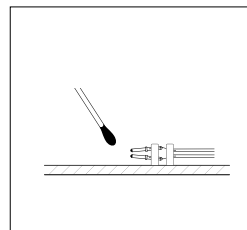
press the battery down until it  
click into place

3



switch on the alarm  
- the moisture alarm  
window will flash in  
**BLUE** when it is working  
correctly

4



test the alarm  
- connect the wires with a  
dampened cotton bud; the  
alarm will give a repeating  
'beep' and the moisture alarm  
window will flash **RED**

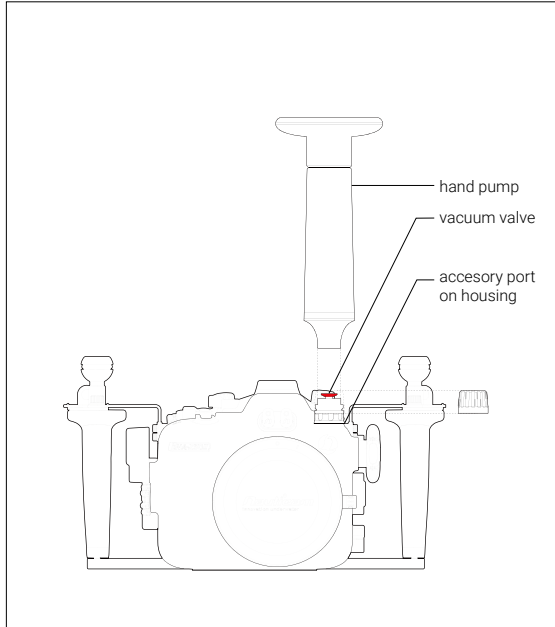
\* please contact our authorized service centers if testing fails  
\* please refer to page 13 for complete vacuum system guidance

# OPTIONAL ACCESSORIES

\* drawings as illustrations only

Vacuum valve system

1



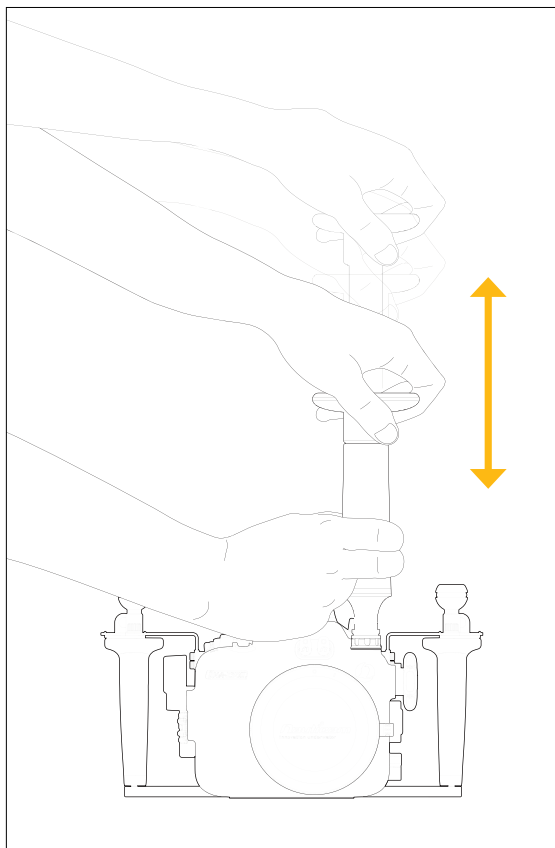
remove the plug of M16 accessory port from the housing

remove the cap from the vacuum valve

slightly lubricate the o-ring and make sure the o-ring is in place

then tighten the vacuum valve to the housing with the tool provided

2



connect hand pump to the valve and pump several times until it reaches the target vacuum level

close vacuum valve cap

Moisture alarm window colour indication :

Steady Blue		device is turned on
Flashing Blue		standby mode, ready for pumping
Steady Green		target vacuum level is reached
Flashing Yellow		vacuum level is dropping
Flashing Red		vacuum is totally lost, circuit stalled until device is switched off
Alternating Blue and Red		vacuum is totally lost, circuit stalled until device is switched off
Steady Red		out of battery

*\* It is recommended to leave the housing for at least 20mins to ensure it is sealed. If the LED light changes from steady green light to rapidly flashing yellow light, that means there is a leakage. Please check every O-ring and then conduct the vacuum test again.*

*\* please contact our authorized service centers if testing fails*

## CARE/STORAGE

1

Gently rinse the housing system in fresh water after dives. Operate all controls and buttons at least 3 times while immersed in fresh water.

2

Use a microfiber towel to dry the housing system to prevent water stains on glass and metal finishing.

3

We recommend cleaning and inspecting the main O-ring each time after diving for any damage and every time the housing is opened.

4

Protect the housing with robust and shock-proof travel case during transportation. Do not travel with camera inside housing.

5

We recommend to ship the housing to our service centers for a complete overhaul after 500 dives/every 2 years.

# WARRANTY

All NAUTICAM Housing Products and Viewfinders are warranted against any material and manufacturing defects for two years from the date of purchase for consumer use. NAUTICAM Optical Accessories are warranted against material and manufacturing defects for a period of one year, and HDMI cables carry a year warranty.

This warranty only applies to products purchased from authorized NAUTICAM dealers and does not extend beyond the original retail purchaser.

To return your product for service, please contact your regional authorized service center(s). Please note that this warranty only applies when the product is purchased in the territory where the service center is located.

NAUTICAM accepts no liability for any damage to and defects in the housing caused by improper use and/or poor maintenance; it is the responsibility of the owner to carefully follow the instructions in our manuals.

NAUTICAM does not hold responsibility for damage, of any nature, to any equipment used with and/or placed within our products.

NAUTICAM accepts no liability for any loss of captured images or the inability to capture images even if it is due to the malfunctioning of our products.

Unauthorized modifications and/or repairs of our products will automatically invalidate the warranty.

# SPECIFICATIONS

## Construction

Housing body	Hard Anodized Aluminium Alloy
Display window	Abrasion Resistant Polycarbonate

## Dimensions

Width	295 mm
Height	165 mm
Depth	157 mm

## Weight

In air	1.95 kg
Buoyancy in water	Negative 0.49 kg (incl. camera, battery, Z DX 16-50 lens)

## Depth

Rating	100 m
--------	-------

## Port Specifications

Port mount	Fixed Flat Port with Bayonet Mount
Port accessories	1 x M16, 1 x M10

## Buoyancy Options

72261 Ø70x200mm Carbon Fibre Aluminium Float Arm (Buoyancy 370g)
72264 Ø90x170mm Carbon Fibre Aluminium Float Arm (Buoyancy 450g)
72266 Ø50x200mm Carbon Fibre Aluminium Float Arm (Buoyancy 160g)
72267 Ø50x250mm Carbon Fibre Aluminium Float Arm (Buoyancy 240g)
72268 Ø50x300mm Carbon Fibre Aluminium Float Arm (Buoyancy 320g)
72233 Single Bayonet Holder II for Ø70 Float Arm
72234 Double Bayonet Holder II for Ø70 Float Arm
72243 Single Bayonet Holder II for Ø90 Float Arm
72244 Double Bayonet Holder II for Ø90 Float Arm
83252 Bayonet Holder for Arms
83253 Double Bayonet Holder for Arms
83254 Bayonet Lens Holder for Inon Float Arms

## Recommended Accessories

25227 27cm Lanyard with Shackles
25412 23cm Lanyard with 2 Snap Hooks

## FLASH TRIGGERING

### Optical

#### TTL Flash Trigger

Camera Pop Up Flash
26216 Universal Optical Fiber Cable

## WET LENS COMPATIBILITY

*\*please refer to Nauticam port charts for more setup information*

### Nauticam optical lenses

Macro	81301 Compact Macro Converter 1 (CMC-1, 4.5x Magnification)
	81302 Compact Macro Converter 2 (CMC-2, 2.8X Magnification)
<i>* 83214 Bayonet mount Adaptor for SMC/CMC is required for use with CMC-1/2</i>	
Wideangle	83202 Wet Wide Lens 1B (WWL-1B) 130 deg. FOV with Compatible 28mm Lenses (incl. float collar)
	83203 Wet Wide Lens Compact (WWL-C) 130 Deg. FOV with Compatible 24mm Lenses (incl. float collar)



**Nauticam Internationl Ltd.**

Rm 2203, CCT Telecom Bldg,  
11 Wo Shing St,  
Fo Tan,  
Hong Kong

Tel. +852 - 26902711  
Fax. +852 - 26909778  
URL. [www.nauticam.com](http://www.nauticam.com)  
Gallery. [www.nauticam.smugmug.com](http://www.nauticam.smugmug.com)