

# NA - S1R II

For Panasonic Lumix S1R II Camera

PN 17722

**User Manual**  
Housing  
FF- MIL

Introduction	2
Package Contents	2
Important Instructions	3
Part Names and Functions	4
Housing Mount	7
Opening the housing	8
Closing the housing	9
Preparation for Use	10
Optional Accessories	15
Care/Storage	19
Warranty	20
Specifications	21

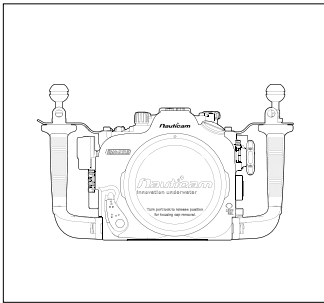
# INTRODUCTION

Thank you for purchasing this Nauticam product.

Before using the product, please read this manual thoroughly to familiarize yourself with full scope of functions on the product as well as ensuring that you will use the product correctly.

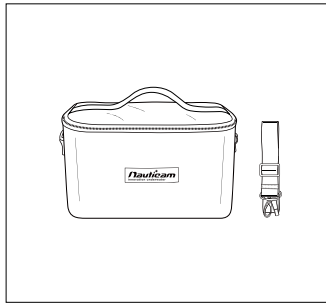
# PACKAGE CONTENTS

Make sure that you have all the included items listed below before using this product. If some items are missing or damaged, contact your local Nauticam dealer.

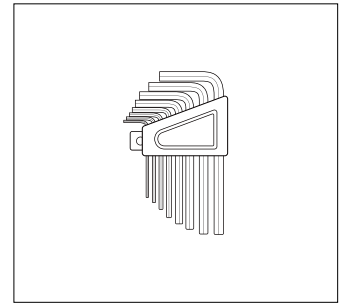


NA-S1RII

(2 x Handles with Mounting Balls, 1 x Housing Cap,  
2 x Optical Fiber Mount Caps,  
2 x Stainless Steel Handle Brackets)



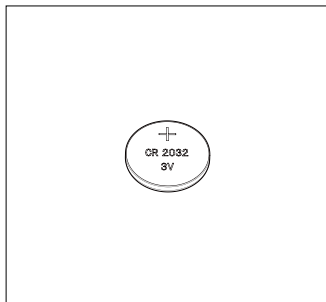
Padded Travel Case



Allen key set

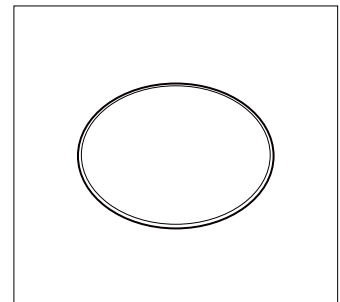


Lubricant



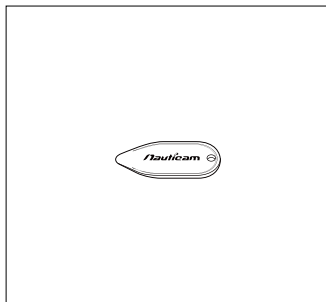
Panasonic CR2032 Battery

(pre-installed for Moisture Alarm)



Spare Main O-ring  
#90137

After purchase, we suggest that you reuse all packaging materials for future travelling.



O-ring Remover

# IMPORTANT INSTRUCTIONS

1

Water-tight test of the housing (without camera inside) before usage is recommended as well as any O-ring renewal and port change.

2

Do not seal the housing when travelling by air as this may lead to a pressure difference between the atmosphere and inside the housing.

3

Only the accessories specified by Nauticam must be used. Third-party accessories may result in malfunctions or damage to the product.

4

Use only Nauticam lubricant on silicone rubber O-ring.

5

Do not stretch any O-rings excessively. Only remove it using Nauticam O-ring remover.



6

Discontinue use immediately when there is a sign of leakage.

7

Do not attempt to remove parts of the housing yourself. Repairs must be done at authorized service centers only.

8

The housing should be positioned on the a stable and safe surface on land.

9

Do not expose the housing in direct sunlight for a prolonged period.

10

Do not open the housing in wet or sandy environment. Protect the housing from moisture and debris in order to prevent malfunction or leakage.

11

Prevent any sand or dust or water penetration inside the housing. Be extra careful when changing lens and inserting or removing the camera.

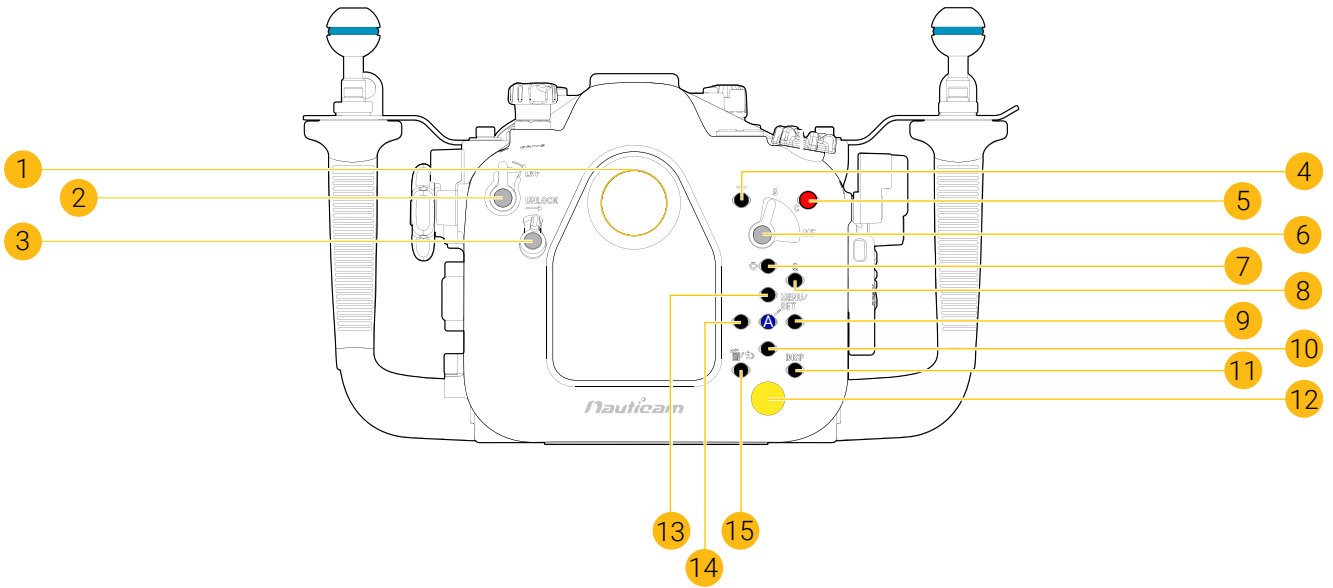


12

This product is not intended for use by children, or persons with reduced physical, sensory or mental capabilities, or lack of experience and knowledge, unless they are supervised and/or given instruction by a responsible person concerning use of the product to ensure that they can use it safely.

# PART NAMES AND FUNCTIONS

Rear View

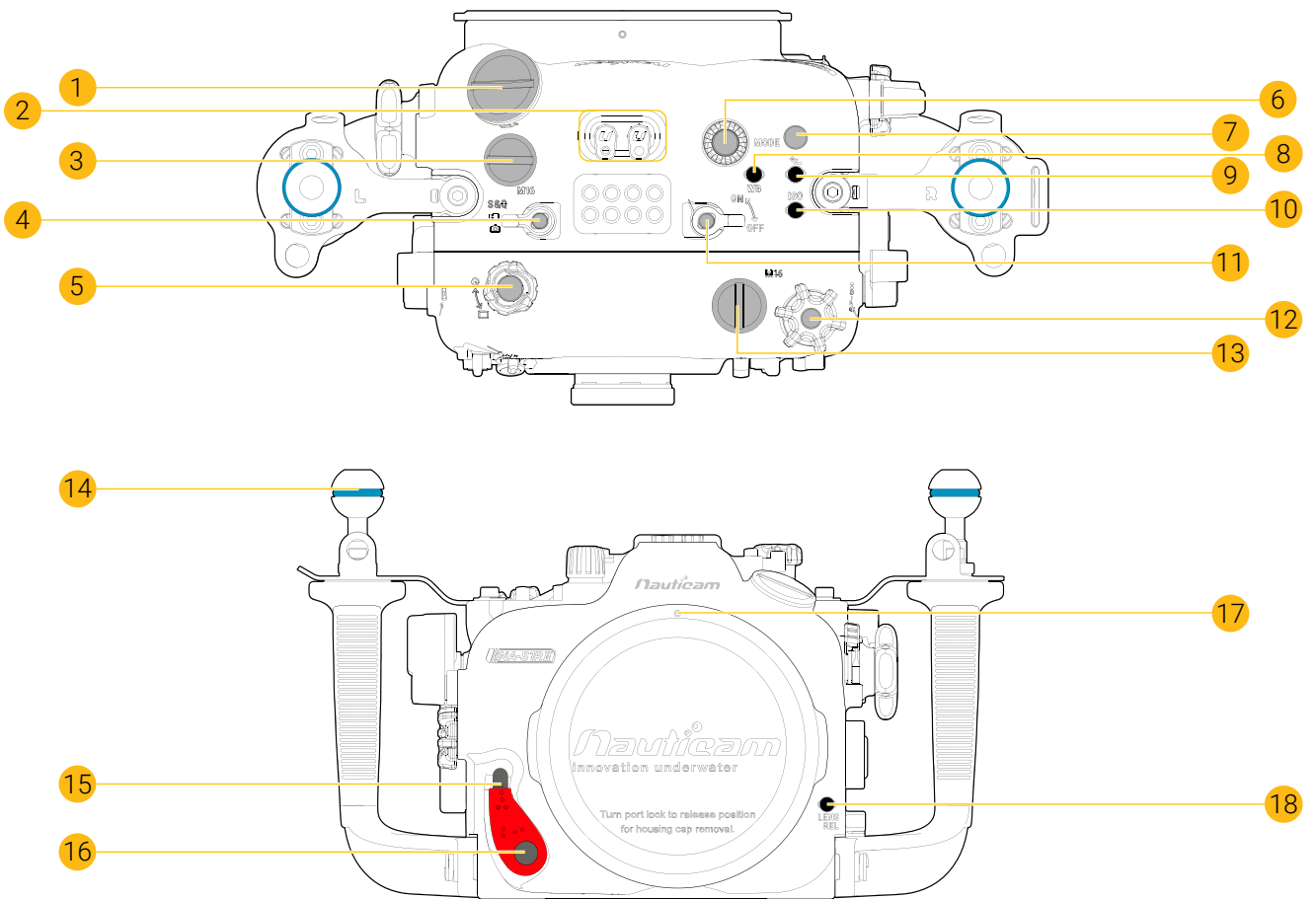


- |    |                   |    |                       |
|----|-------------------|----|-----------------------|
| 1  | Viewfinder        | 2  | LVF lever             |
| 3  | Unlock lever      | 4  | AF mode button        |
| 5  | REC button        | 6  | Focus mode lever      |
| 7  | Joystick - Center | 8  | Quick control button  |
| 9  | Right button      | 10 | Down button           |
| 11 | Display button    | 12 | Moisture alarm window |
| 13 | Up button         | 14 | Left button           |
| 15 | Delete button     | A  | Menu/Set button       |



# PART NAMES AND FUNCTIONS

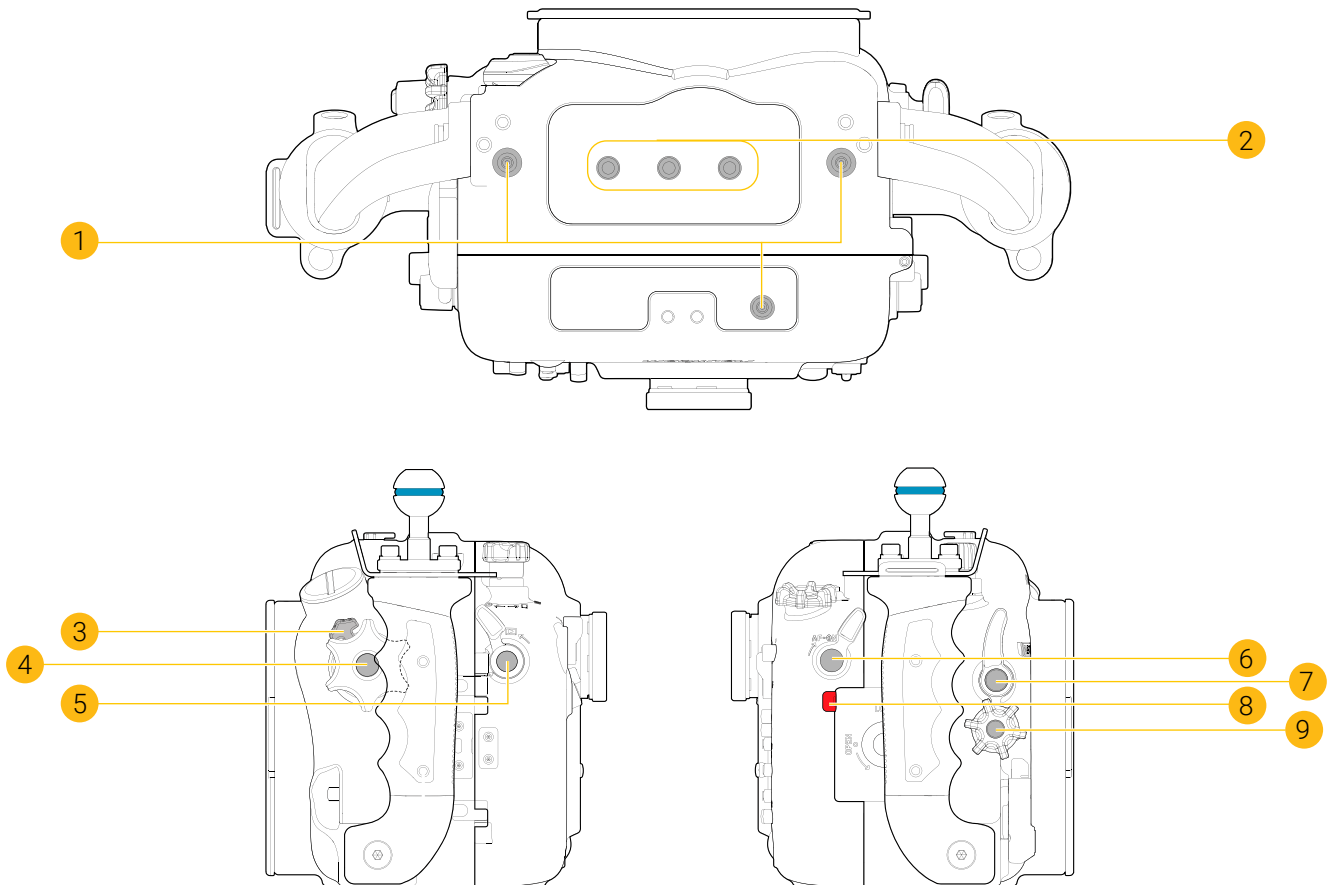
Top + Front Views



- |                                |                                  |
|--------------------------------|----------------------------------|
| 1 M24 Accessory port           | 2 Optical fiber cable connection |
| 3 M16 Accessory port           | 4 Still/movie/S&Q lever          |
| 5 Drive mode dial              | 6 Mode dial                      |
| 7 M10 Accessory port           | 8 WB button                      |
| 9 Exposure compensation button | 10 ISO button                    |
| 11 Main switch                 | 12 Rear dial                     |
| 13 M16 Accessory port          | 14 Accessory mounting ball       |
| 15 Port lock safety button     | 16 Port locking lever            |
| 17 Port index mark             | 18 Lens release button           |

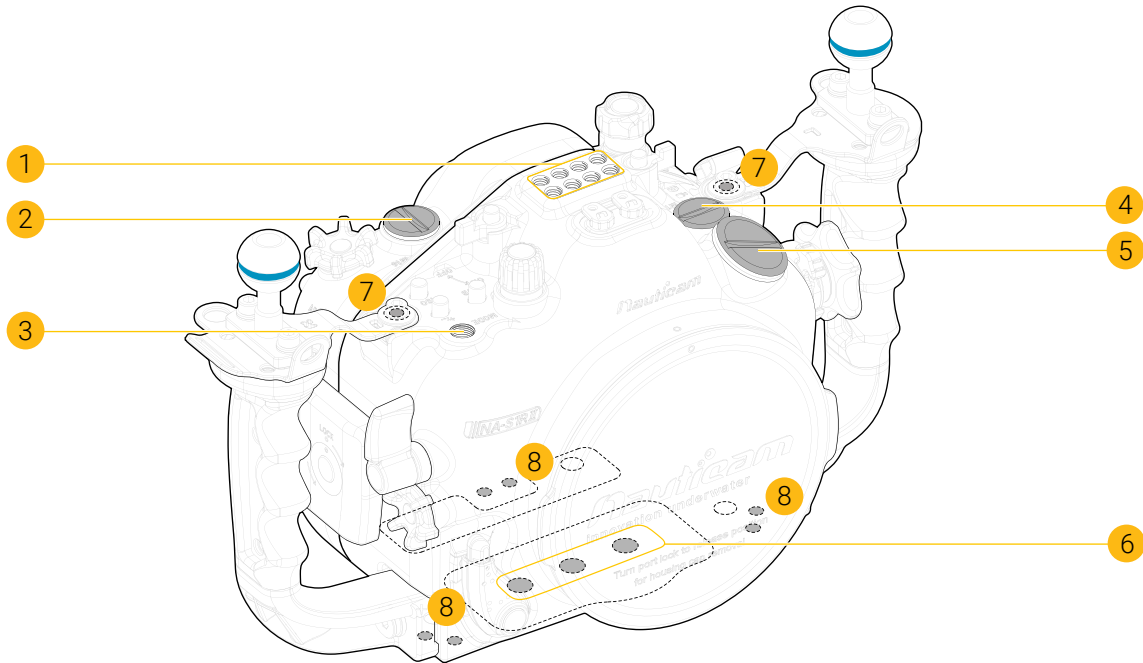
# PART NAMES AND FUNCTIONS

Back + Side Views



- |   |                         |   |                            |
|---|-------------------------|---|----------------------------|
| 1 | Sacrificial zinc anodes | 2 | 1/4" Threaded tripod holes |
| 3 | Zoom/Focus knob release | 4 | Zoom/Focus knob            |
| 5 | Playback lever          | 6 | AF-ON lever                |
| 7 | Shutter release lever   | 8 | Housing unlock button      |
| 9 | Front dial              |   |                            |

# HOUSING MOUNT



## Housing mount

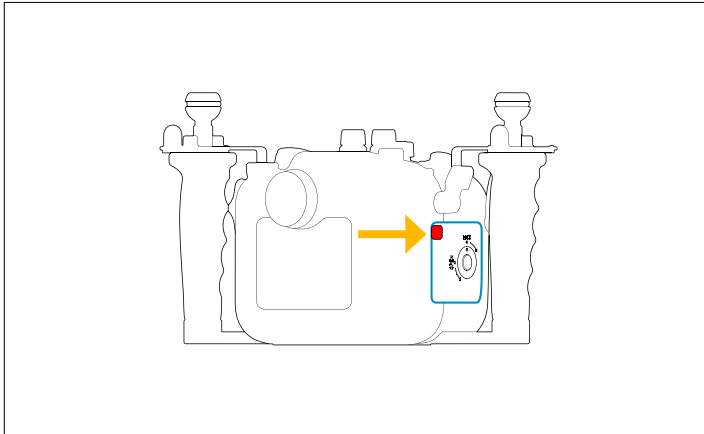
## Compatible accessories

1	1/4" -20 mounting threads	17959	Housing Mounting ball with 1/4" screws	
2	M16 Accessory port	25625	M16 Vacuum Valve II (Optional)	
3	M10 Accessory port	25221	M10 Strobe mounting ball	
		25224	M10 Strobe mounting ball with hole	
4	M16 Accessory port	25033	Standard HDMI bulkhead with M16 thread	HDMI 1.4
		25075	HDMI (D-A) Cable in 190mm Length	
		26325	USB-C Bulkhead for Surface USB-PD	
5	M24 Accessory port	25086	M24 adaptor for HDMI 2.0 cable	HDMI 2.0
		25099	HDMI 2.0 cable	
		25033	Standard HDMI bulkhead with M16 thread	HDMI 1.4
		26326	M24-M16 Adaptor for use with 26325	
		25075	HDMI (D-A) Cable in 190mm Length	
* HDMI 1.4 cable can be installed using M24 or M16 accessory port				
6	1/4" -20 mounting threads	17954	Universal tripod plate	
		17960	Universal quadra-pod plate	
7	M5 Accessory ports	25228	M5 Strobe mounting ball	
8	M5 Threaded holes	25218	Mounting ball set for tripod legs	

# OPENING THE HOUSING

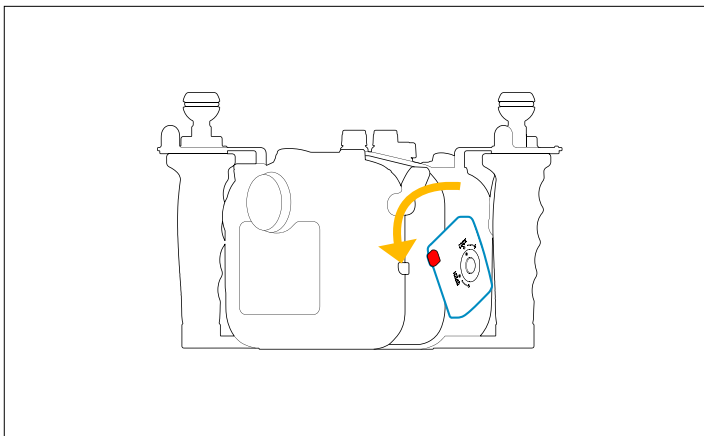
\* drawings as illustrations only

1



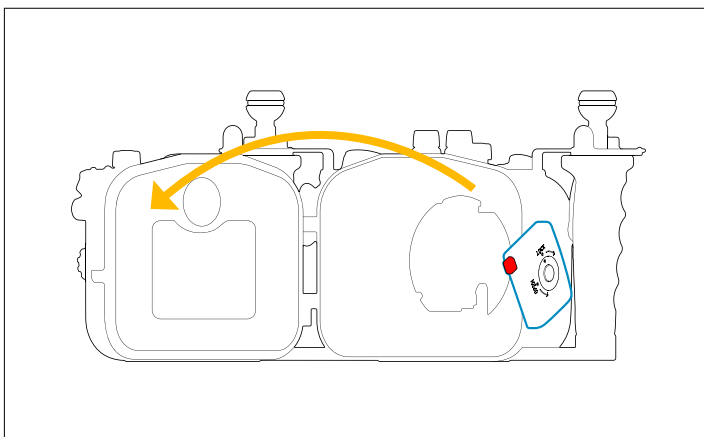
depress housing unlock button

2



turn housing lock latch  
anti-clockwise to open the  
housing

3

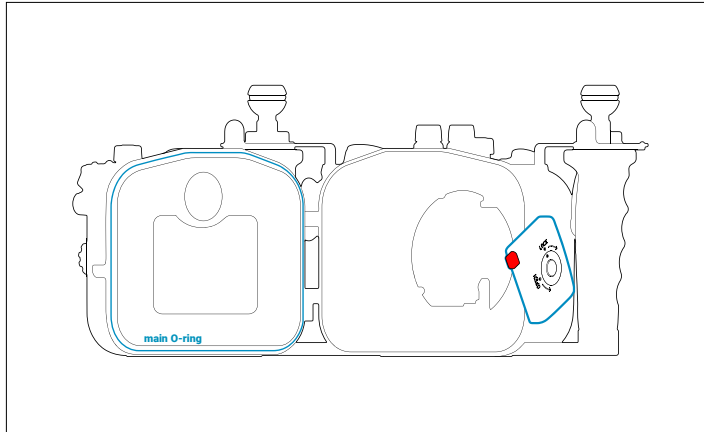


flip open the back housing  
when lock latch is aligned to  
'open' position

# CLOSING THE HOUSING

\* drawings as illustrations only

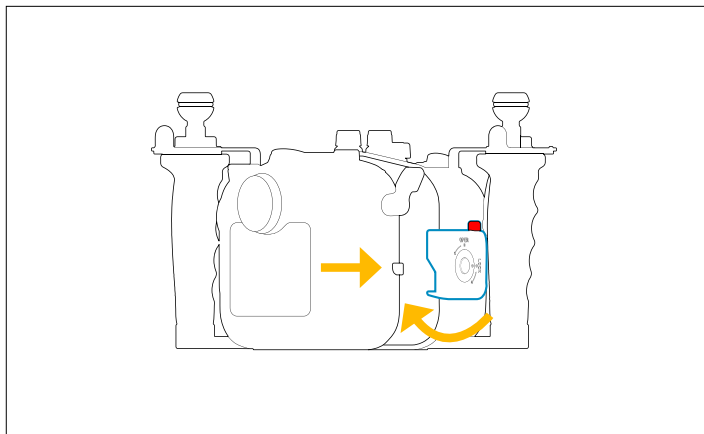
1



before closing the housing, clean and lubricate the main O-ring

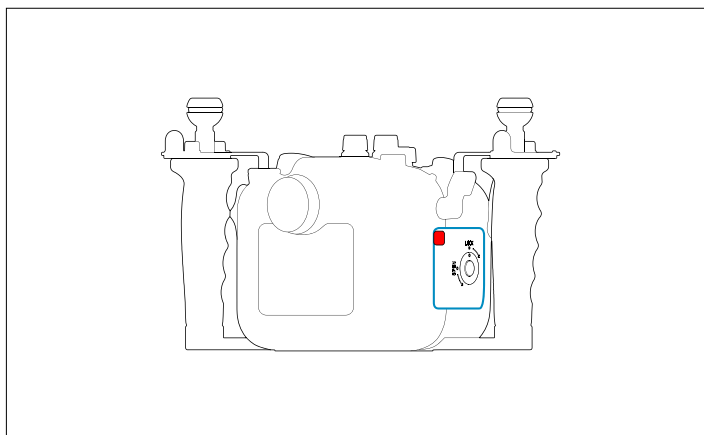
make sure nothing is caught between front and back housing and that they are fully aligned before locking

2



insert the housing shaft into the shaft hole and then rotate the lock latch clockwise until you hear and feel it click into place

3

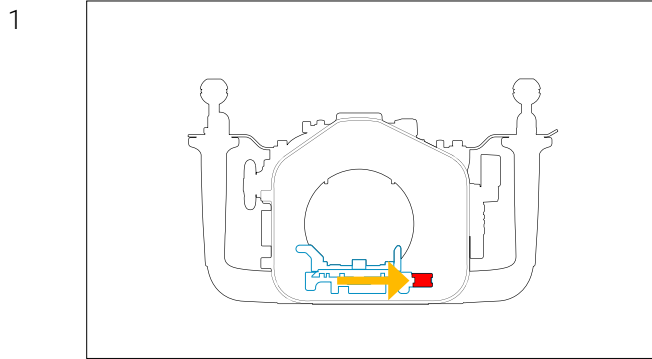


housing locked in place securely

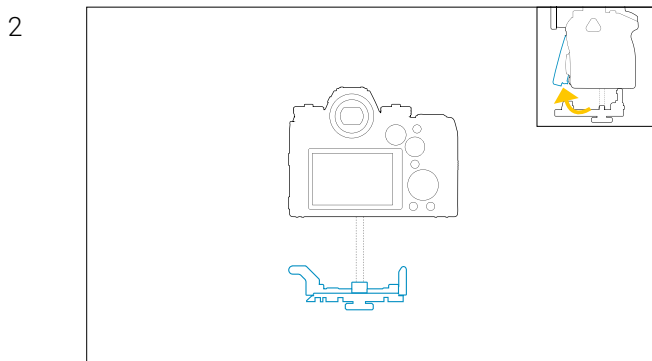
# PREPARATION FOR USE

\* drawings as illustrations only

Installing the Camera - housing tray attachment

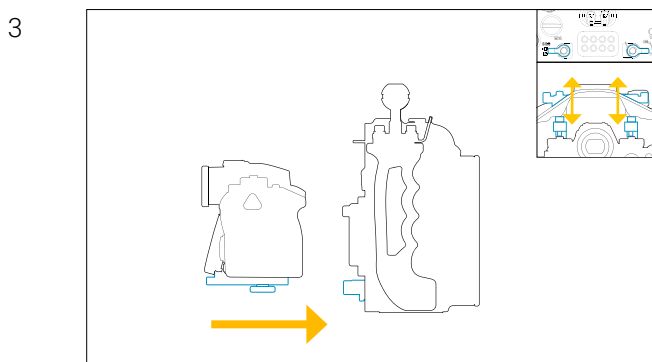


unlock camera tray lever and remove the tray from the housing



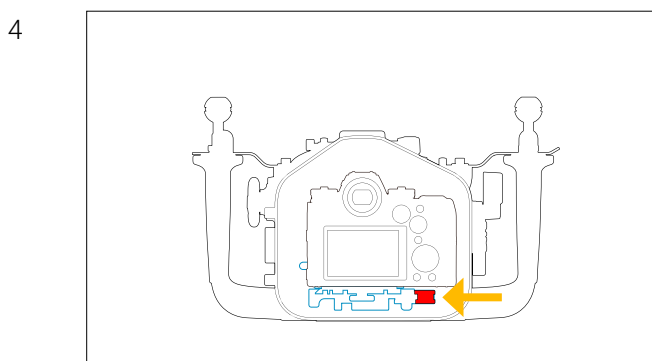
*\* tilt the flip screen as shown before screwing the camera onto the camera tray*  
*\* when the monitor is open, the eye sensor does not work, hence this housing does not support the use of eye sensor*

attach the camera tray by tightening the tray screw into the tripod socket of the camera



*\* lift up the Still/Movie/S&Q lever as well as the ON/OFF lever and make sure both lever control on housing are aligned with camera controls before installing the camera into housing*  
*\* pull out the zoom/focus knob if installing the camera with lens and gear attached*

slide the camera tray back into the housing along the tray rail



lock camera tray

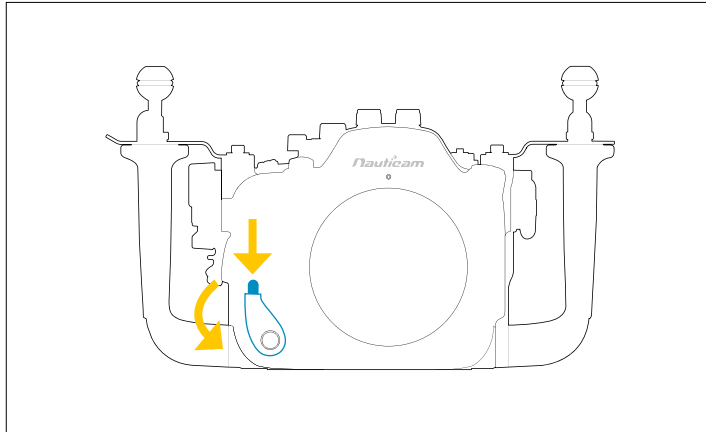
*\* place the zoom/focus knob in place and make sure it is engaged with lens gear*

# PREPARATION FOR USE

\* drawings as illustrations only

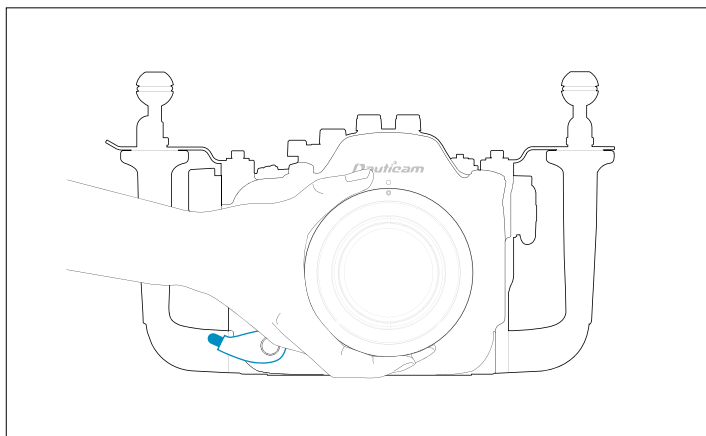
Port Mounting

1



depress safety button and rotate anti-clockwise

2

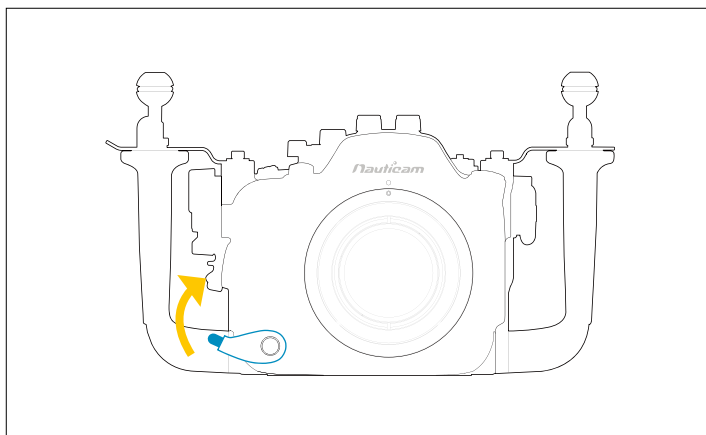


lubricant the port O-ring before mounting


align index mark

push port assembly straight in until it cannot go further

3



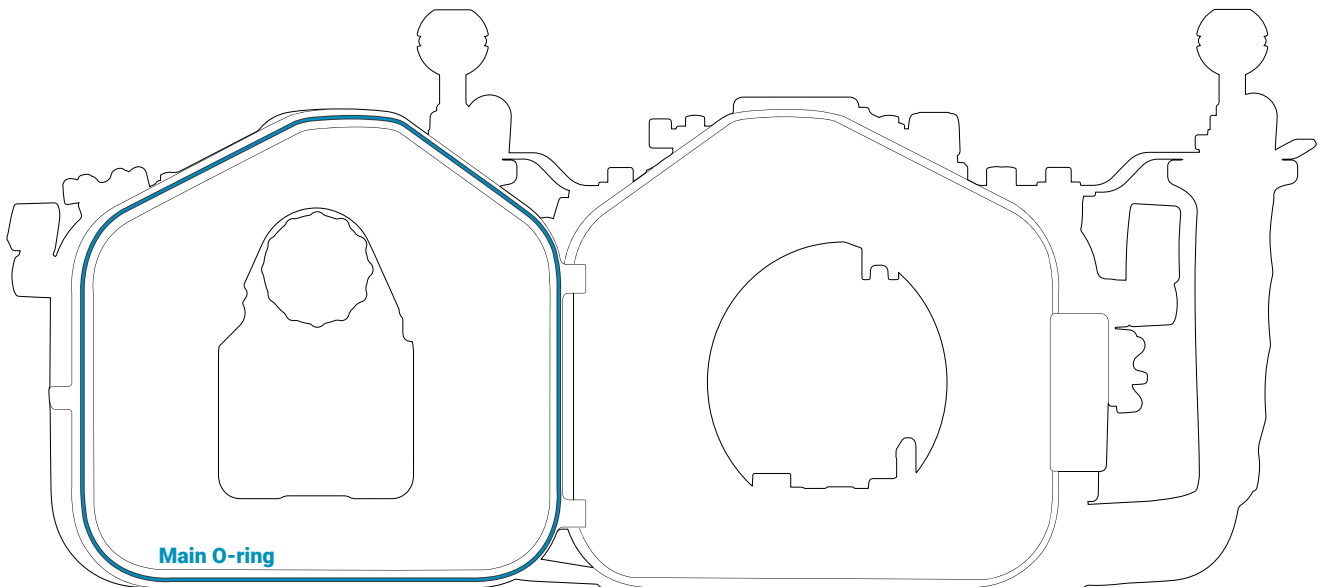
rotate locking lever clockwise to lock

 *Do not operate the red lever with force, make sure the port is aligned correctly and pushed in fully and securely*

# PREPARATION FOR USE

\* drawings as illustrations only

Coating housing O-ring



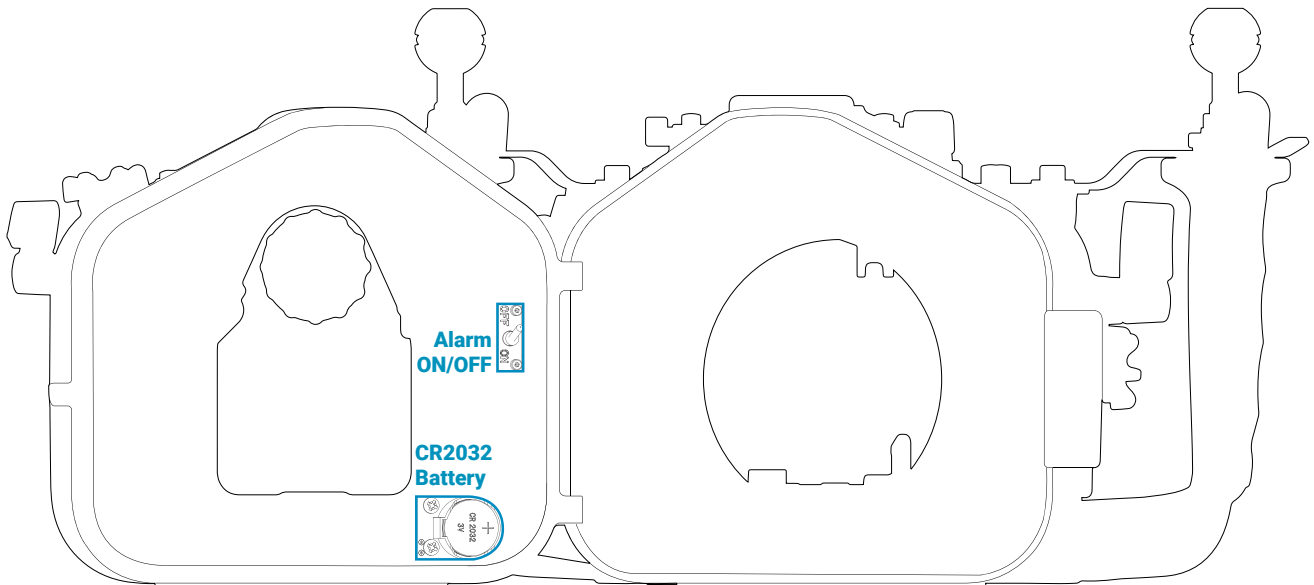
- 1  
remove the main O-ring using an O-ring remover
  
- 2  
clean the O-ring groove with a cloth and ensure that it is free from salt or other foreign materials
  
- 3  
lightly coat it with provided lubricant
  
- 4  
return the main O-ring by slowly pressing from one corner to the whole perimeter



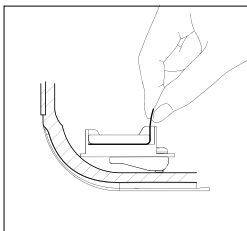
# PREPARATION FOR USE

\* drawings as illustrations only

Setting up moisture alarm

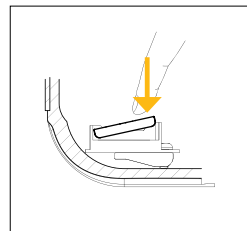


1



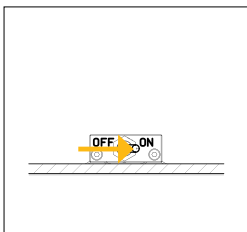
remove battery insulation film

2



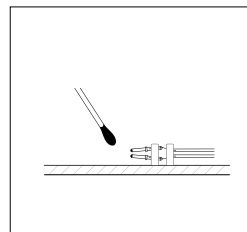
press the battery down until it click into place

3



switch on the alarm  
- the moisture alarm window will flash in **BLUE** when it is working correctly

4



test the alarm  
- connect the wires with a dampened cotton bud; the alarm will give a repeating 'beep' and the moisture alarm window will flash **RED**

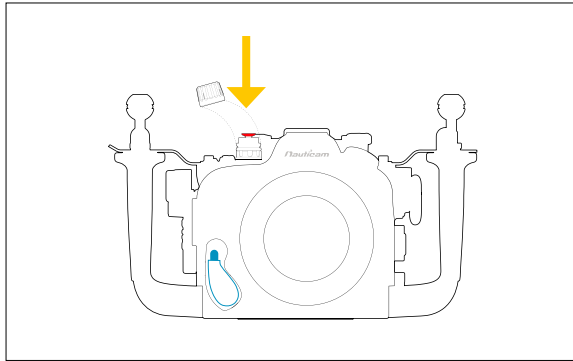
\* please contact our authorized service centers if testing fails  
\* please refer to page 15 for complete vacuum system guidance

# PREPARATION FOR USE

\* drawings as illustrations only

Changing lens/port without opening the housing

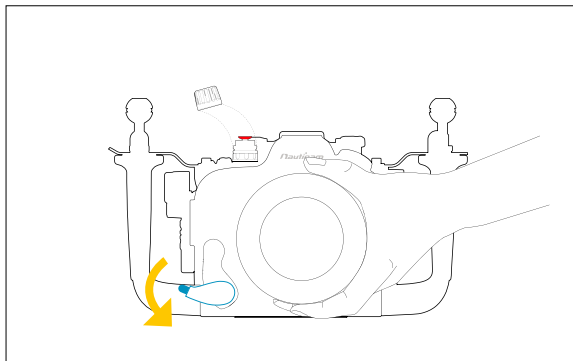
1



If using with vacuum valve :  
remove the cap from the vacuum valve and press the red button to release pressure before unlocking port lock

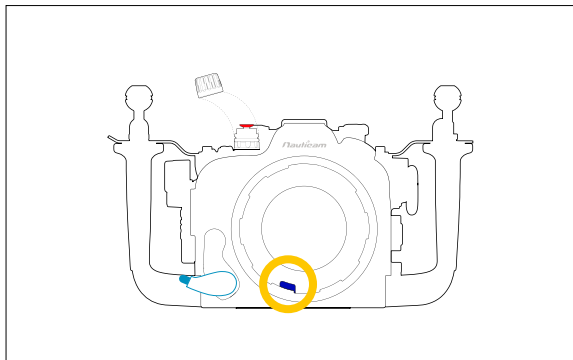
If using without vacuum valve,  
please follow from step 2

2



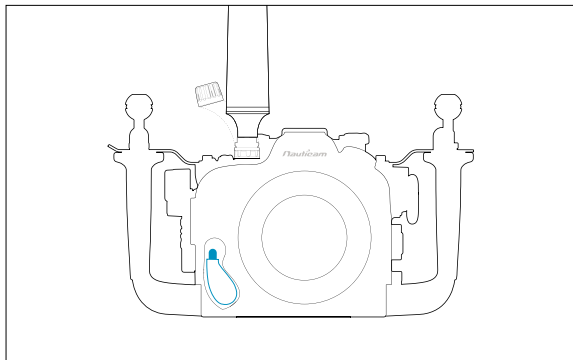
unlock port lock and remove port assembly

3



press the blue button to reset vacuum alarm before replacing port

4



replace port assembly then lock port lock

reset vacuum valve system using hand pump and close the cap after

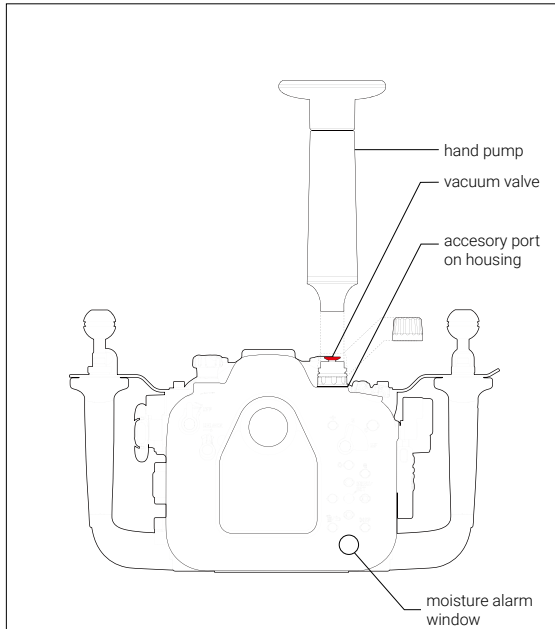
\* please refer to page 15 on complete vacuum system guidance

# OPTIONAL ACCESSORIES

\* drawings as illustrations only

Vacuum valve system

1



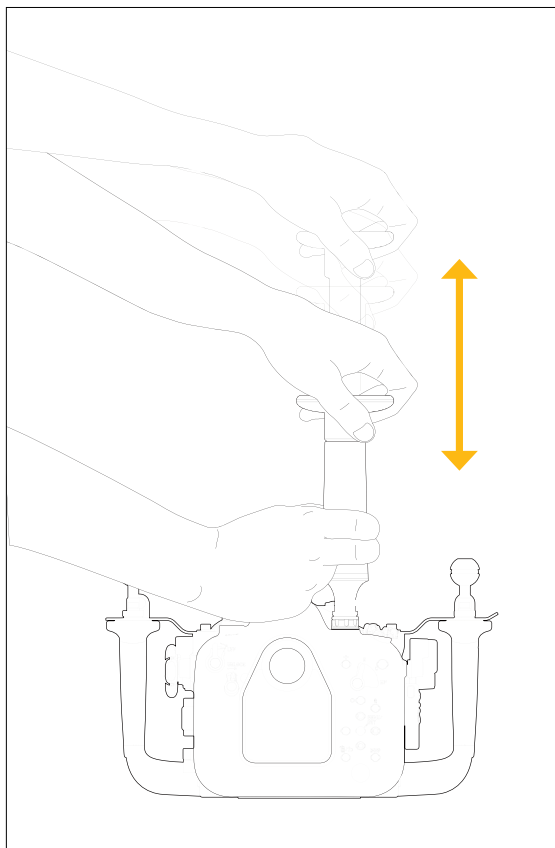
remove the plug of M16 accessory port from the housing

remove the cap from the vacuum valve

slightly lubricate the o-ring and make sure the o-ring is in place

then tighten the vacuum valve to the housing with the tool provided

2



connect hand pump to the valve and pump several times until it reaches the target vacuum level

close vacuum valve cap

Moisture alarm window colour indication :

Steady Blue		device is turned on
Flashing Blue		standby mode, ready for pumping
Steady Green		target vacuum level is reached
Flashing Yellow		vacuum level is dropping
Flashing Red		vacuum is totally lost, circuit stalled until device is switched off
Alternating Blue and Red		vacuum is totally lost, circuit stalled until device is switched off
Steady Red		out of battery

*\* It is recommended to leave the housing for at least 20mins to ensure it is sealed. If the LED light changes from steady green light to rapidly flashing yellow light, that means there is a leakage. Please check every O-ring and then conduct the vacuum test again.*

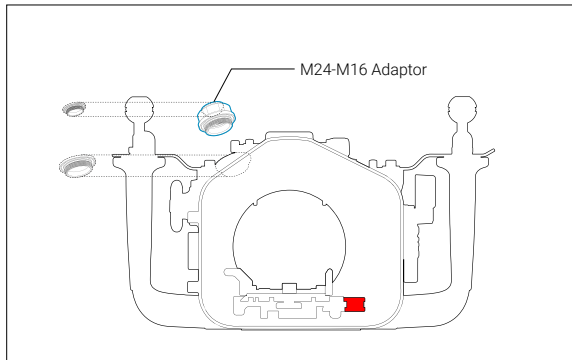
*\* please contact our authorized service centers if testing fails*

# OPTIONAL ACCESSORIES

\* drawings as illustrations only

Installing Surface USB-PD Power Bank

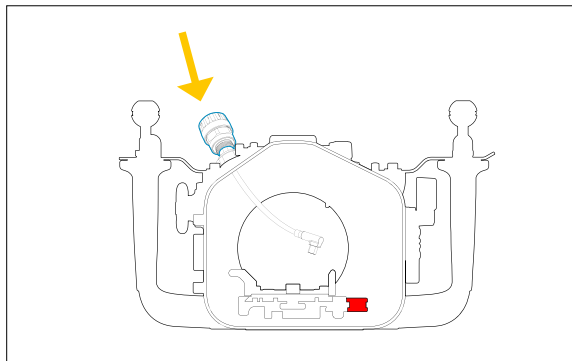
1



unscrew the M24 accessory port cap from the camera housing and screw the M24-M16 adaptor into the housing port

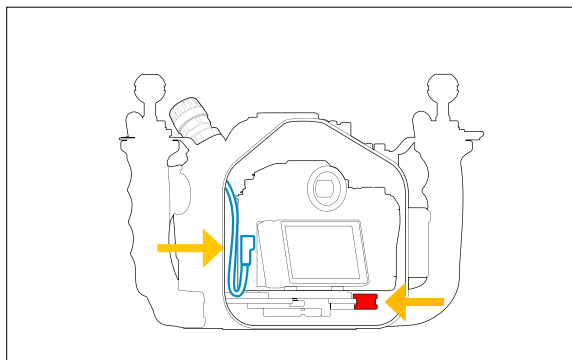
*\* M24-M16 Adaptor is not needed if installing the USB-C Bulkhead into the M16 accessory port*

2



plug the USB-C Bulkhead into the accessory port, gently push the connection head into the accessory port until it cannot go further then tighten it by turning the locking nut

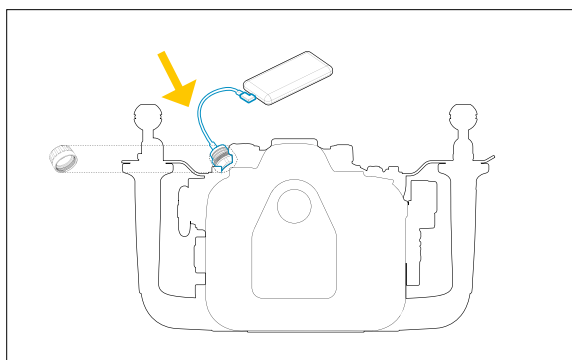
3



plug the cable into the USB Type-C jack on the camera with camera tray attached before sliding into the camera housing

slide the camera tray into the housing along the tray rail then lock camera tray

4



close the housing gently

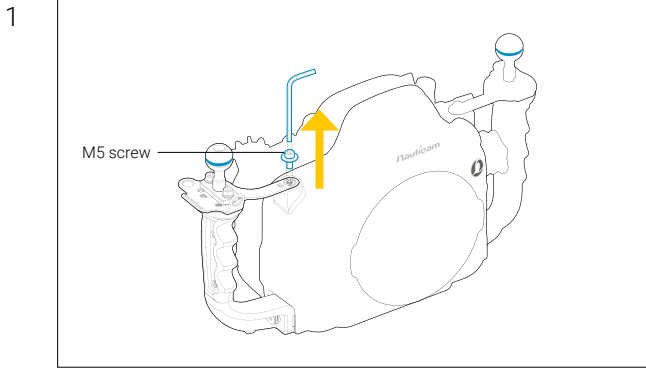
plug the power bank with USB Type-C connector into the USB-C bulkhead

# OPTIONAL ACCESSORIES

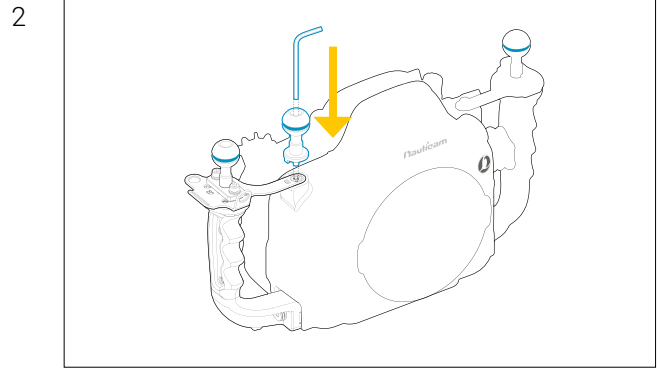
\* drawings as illustrations only

Strobe Mounting Ball

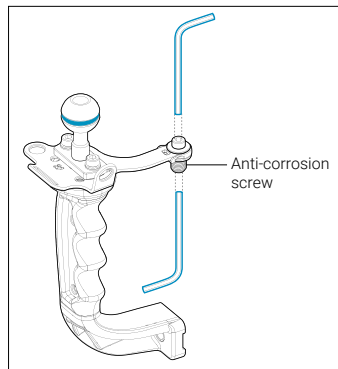
## Installing M5 Strobe Mounting Ball - RECOMMENDED



remove M5 screw with the allen key provided in the housing package

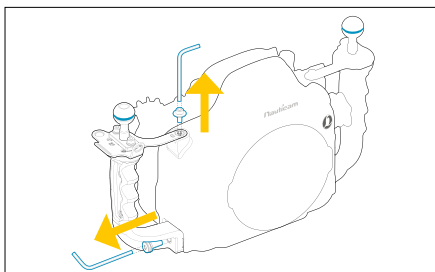


screw #25228 M5 Strobe mounting ball directing onto the M5 thread

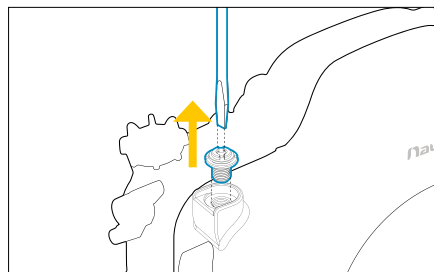


*\* the anti-corrosion screw may also be unscrewed while removing M5 screw, if this is happening, you can separate the parts as shown in the diagram on the left*

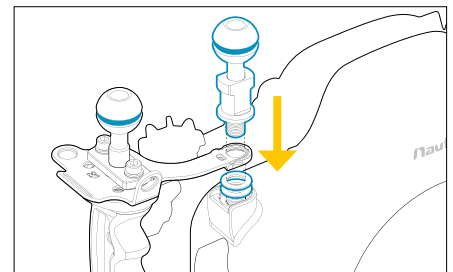
## Installing M10 Strobe Mounting Ball - Optional



remove M5 screw and housing handle screw on the side

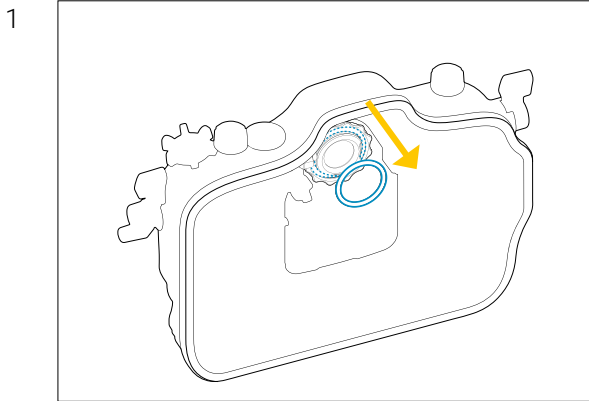


take out the handle and remove the anti-corrosion screw

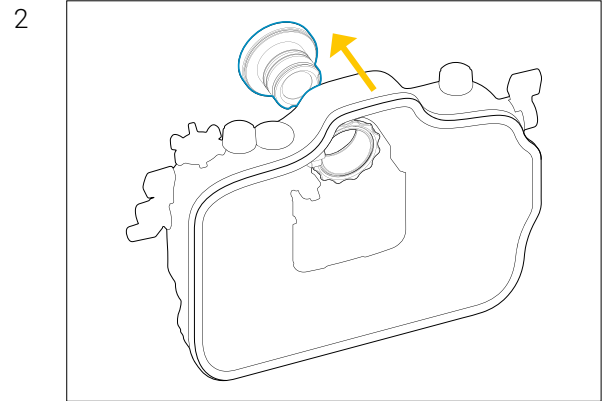


replace the handle and screw the M10 strobe mounting ball onto the housing as shown

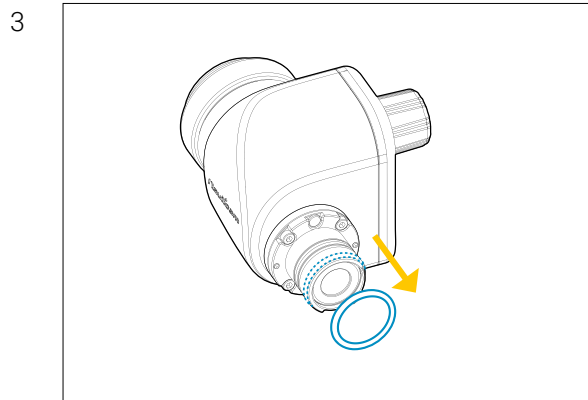
# OPTIONAL ACCESSORIES



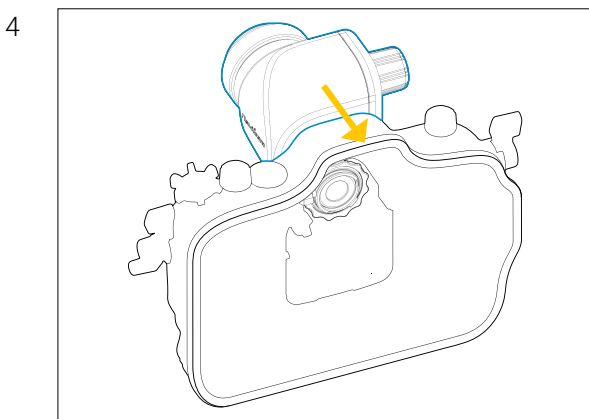
firstly remove the pre-installed 0.66x viewfinder from the housing by removing the retainer o-ring inside rear housing



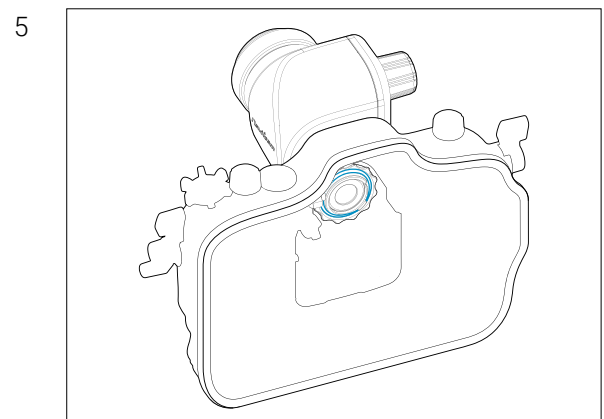
gently push the 0.66x viewfinder from the inside of the housing



remove the retainer o-ring from the viewfinder



align the viewfinder alignment pins with the LCD display window and push the viewfinder into the housing until it cannot go in any further



lightly lubricate the retainer o-ring and place it back from inside the housing

## CARE/STORAGE

1

Gently rinse the housing system in fresh water after dives. Operate all controls and buttons at least 3 times while immersed in fresh water.

2

Use a microfiber towel to dry the housing system to prevent water stains on glass and metal finishing.

3

We recommend cleaning and inspecting the main O-ring each time after diving for any damage and every time the housing is opened.

4

Protect the housing with robust and shock-proof travel case during transportation. Do not travel with camera inside housing.

5

We recommend to ship the housing to our service centers for a complete overhaul after 500 dives/every 2 years.

# WARRANTY

All NAUTICAM Housing Products and Viewfinders are warranted against any material and manufacturing defects for two years from the date of purchase for consumer use. NAUTICAM Optical Accessories are warranted against material and manufacturing defects for a period of one year, and HDMI cables carry a year warranty.

This warranty only applies to products purchased from authorized NAUTICAM dealers and does not extend beyond the original retail purchaser.

To return your product for service, please contact your regional authorized service center(s). Please note that this warranty only applies when the product is purchased in the territory where the service center is located.

NAUTICAM accepts no liability for any damage to and defects in the housing caused by improper use and/or poor maintenance; it is the responsibility of the owner to carefully follow the instructions in our manuals.

NAUTICAM does not hold responsibility for damage, of any nature, to any equipment used with and/or placed within our products.

NAUTICAM accepts no liability for any loss of captured images or the inability to capture images even if it is due to the malfunctioning of our products.

Unauthorized modifications and/or repairs of our products will automatically invalidate the warranty.



# SPECIFICATIONS

## Construction

Housing body	Hard Anodized Aluminium Alloy
Display window	Abrasion Resistant Polycarbonate

## Dimensions

Width	330 mm
Height	200 mm
Depth	165 mm

## Weight

In air	2.25kg
Buoyancy in water	Positive 0.5kg (incl. camera and battery)

## Depth

Rating	100 m
--------	-------

## Port Specifications

Port mount	N120 Port System for Panasonic L-Mount
Port accessories	1 x M24, 2 x M16, 1 x M10, 8 x 1/4" -20 Threaded Holes

## Surface USB-PD Power bank

26325 USB-C Bulkhead with USB-C Connector
26326 M24-M16 Adaptor (for M24 accessory port only)

## Viewfinder

32211 Nauticam Full Frame Straight Viewfinder 32°/ 1:1
32212 Nauticam Full Frame Straight Viewfinder 40°/ 0.8:1
32213 Nauticam Full Frame Angle Viewfinder 32°/ 1:1
32214 Nauticam Full Frame Angle Viewfinder 40°/ 0.8:1
87213 Reverse Angled Viewfinder for EMWL 40°/ 0.8:1
87214 Reverse Straight Viewfinder for EMWL 40°/ 0.8:1
87215 Reverse Angled Viewfinder for EMWL 32°/ 1:1
87216 Reverse Straight Viewfinder for EMWL 32°/ 1:1

\* 32212/32214, 87213/87214 40° viewfinders are recommended

## Buoyancy Options

72216 Ø70x200mm Carbon Fibre Aluminium Float Arm (Buoyancy 370g)
72217 Ø70x250mm Carbon Fibre Aluminium Float Arm (Buoyancy 520g)
72218 Ø70x300mm Carbon Fibre Aluminium Float Arm (Buoyancy 670g)
72219 Ø90x170mm Carbon Fibre Aluminium Float Arm (Buoyancy 450g)
72220 Ø90x220mm Carbon Fibre Aluminium Float Arm (Buoyancy 720g)
72233 Single Bayonet Holder II for Ø70 Float Arm
72234 Double Bayonet Holder II for Ø70 Float Arm
83252 Bayonet Holder for Arms
83253 Double Bayonet Holder for Armsrm
83254 Bayonet Lens Holder for Inon Float Arms

# FLASH TRIGGERING

## Optical

### Manual Flash Trigger

26305 Mini flash trigger for Fujifilm/Canon/Panasonic
---

## WET LENS COMPATIBILITY

*\*please refer to Nauticam port charts for more setup information*

### Nauticam optical lenses

Macro	81203 Super Macro Converter 3
	81202 Super Macro Converter 2
	81501 Mid-range Focus Optimizer 1
Macro to Wideangle	87302 EMWL Set #2
	87303 EMWL Set #3
	87202 EMWL Focusing Unit #2
	87211 EMWL 150mm Relay Lens
	87212 EMWL Angled Relay Lens
	87221 EMWL 60° Objective Lens
	87222 EMWL 100° Objective Lens
	87223 EMWL 130° Objective Lens
87226 EMWL 160° Objective Lens	
Wideangle	83202 Wet Wide Lens 1B (WWL-1B) 130 deg. FOV with Compatible 28mm Lenses (incl. float collar)
	83203 Wet Wide Lens Compact (WWL-C) 130 Deg. FOV with Compatible 24mm Lenses (incl. float collar)
	85204 0.57x Wide Angle Conversion Port - 2 (WACP-2) 140 Deg. FOV with Compatible 14mm Lenses (incl. float collar)
	85205 N100 0.36x Wide Angle Conversion Port Compact (WACP-C)
	85206 N120/N100 0.36x Wide Angle Conversion Port (WACP-1B) (incl. float collar & interchangeable port mounting ring)
	85207 N120/N100 Fisheye Conversion Port (FCP-1) 170 Deg. FOV with Compatible 28mm Lenses (incl. float collar & interchangeable port mounting ring)
86201 Macro to Wideangle Lens 1 (MWL-1) 150 deg. FOV with full frame 60mm macro lens	

### Optional accessories

25101 M67 Flip Diopter Holder for M67 Macro ports
25108 M67 Double Flip Holder for M67 Macro Ports
83213 M67 to Bayonet Mount Converter II
83214 Bayonet Mount Adaptor for SMC/CMC
83250 M67 to Bayonet Mount Converter II
83251 M77 to Bayonet Mount Converter II
87501 Flip Holder for EMWL
87512 Shade for 130° Objective Lens
87513 Shade for 100° Objective Lens
87518 Strobe Mounting Brackets for EMWL Relay Lens
87519 Shade for 160° Objective Lens

## HDMI CONNECTION & MONITOR OPTIONS

### HDMI Connectivity Required Accessories ( 2.0 )

25086 M24 Adaptor for HDMI 2.0 Cable (incl. tightening tool)
25099 M24A2R200-M28A1R170 HDMI 2.0 Cable

### Monitor Options ( 2.0 )

17922 NA-Ninja V Housing
--------------------------

### Optional Monitor Mounting Accessories

17951 Atomos Housing Mounting System
17957 Nauticam Atomos Shogun Housing Mounting Adaptor
17954 Tripod Plate
17960 Universal Quadra-Pod Plate

### HDMI Connectivity Required Accessories ( 1.4 )

25033 Standard HDMI Bulkhead with M16 Thread
26326 M24-M16 Adaptor for use with 26325
25075 HDMI (D-A) Cable in 190mm Length
* 25082 is required for use with 17922 monitor housing

### Monitor Options ( 1.4 )

17927 NA-Shinobi II Housing
17922 NA Ninja V Housing

**Nauticam Internationl Ltd.**

Rm 2203, CCT Telecom Bldg,  
11 Wo Shing St,  
Fo Tan,  
Hong Kong

Tel. +852 - 26902711  
Fax. +852 - 26909778  
URL. [www.nauticam.com](http://www.nauticam.com)  
Gallery. [www.nauticam.smugmug.com](http://www.nauticam.smugmug.com)