

# INSTRUCTION MANUAL

## N100 Extension Ring II

PN# 37430 / 37431 / 37432 / 37433

### FORWARD

Thank you for your purchase of a NAUTICAM product.

At NAUTICAM, we pride ourselves in the ability to recognize the requirements of professional as well as amateur underwater photographers and fulfill them through the innovative designs of our products. We strive to achieve a high level of user-friendliness by allowing stress-free installation and easy operation of all important functions of the camera.

Each product is individually inspected and water pressure tested to ensure optimum quality.

Please read this manual carefully before using the product, this will maximize its performance as well as its lifetime.

# PRECAUTIONS

- After installation of the port combo, please make sure the O-ring (s) are free from debris and uneven surface issues.
- A water-tight/vacuum test without the camera inside the housing is highly recommended after the changing of port and O-ring(s).
- Do not use lubricants from other brands with the silicone rubber O-ring on this housing, only use the lubricant provided by NAUTICAM.
- Discontinue use immediately should you notice any leakage.
- Do not open the product in a wet or sandy environment. Protect the interior from moisture and debris in order to prevent malfunction or leakage.
- Defective products should be shipped to our distributors for service, unauthorized disassembling and/or modifications could result in malfunction or leakage.
- When travelling by air, do not travel with any port installed as this may lead to a pressure difference between the atmosphere and inside the housing.

All NAUTICAM Products are warranted against any material and manufacturing defects for two years from the date of purchase for consumer use. This warranty only applies to products purchased from authorized NAUTICAM dealers and does not extend beyond the original retail purchaser.

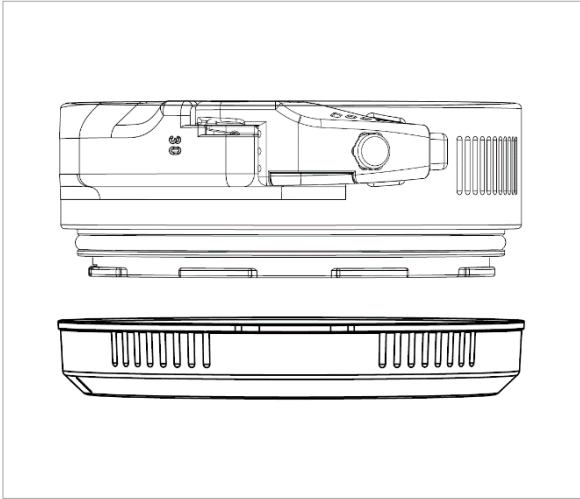
To return your product for service, please contact your regional authorized service center(s). Please note that this warranty only applies when the product is purchased in the territory where the service center is located.

NAUTICAM does not hold responsibility for damage, of any nature, to any equipment used with and/or placed within our products. NAUTICAM accepts no liability for any loss of captured images or the inability to capture images even if it is due to the malfunctioning of our products.

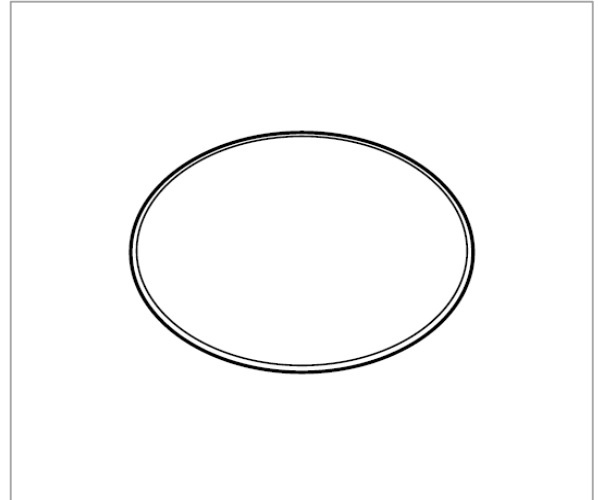
Unauthorized modifications and/or repairs of our products will automatically invalidate the warranty.

# PACKAGE CONTENTS

- Make sure that you have all the included items listed below before using this product.
- If some items are missing or damaged, contact us and the local Nauticam dealer.



N100 Extension Ring II



Spare O-ring

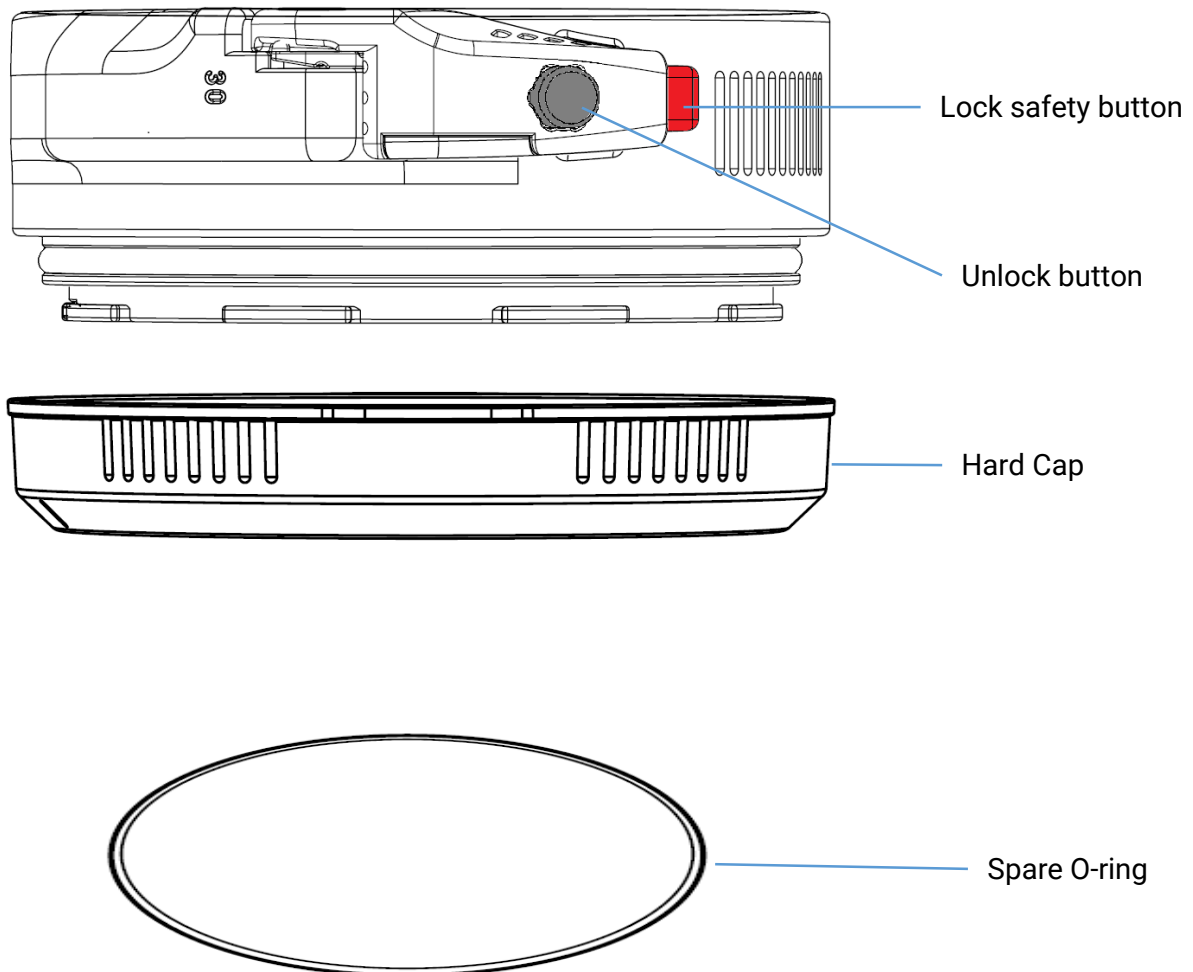


Manual Lubricant



Manual Instruction Card

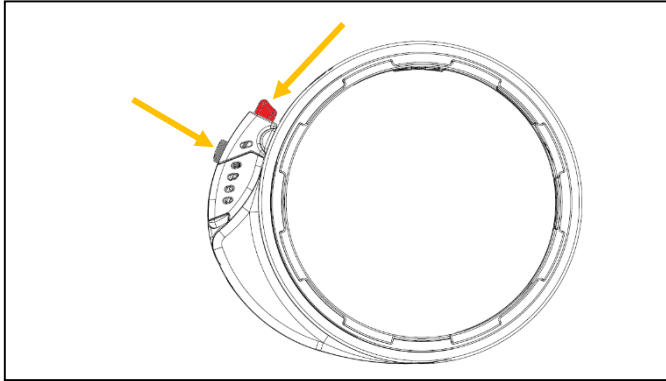
# IDENTIFICATION OF PARTS



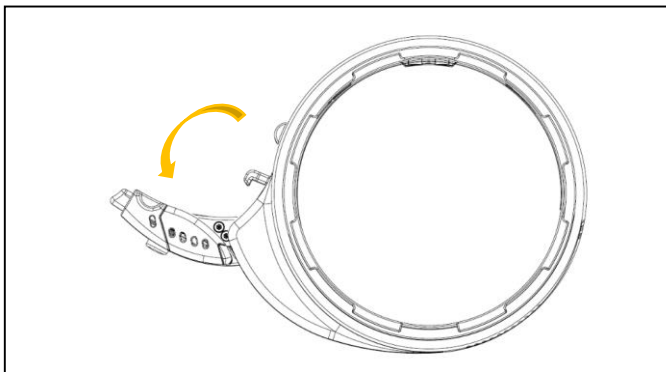
## Preparation of the Product

1. After verifying that the sealing O-ring is in good condition, lightly coat it with the lubricant provided and wipe away the excess.
2. Make sure the O-ring groove is free from any foreign material; the groove can be cleaned with the aid of a microfiber cloth.
3. Carefully place the O-ring into the groove, ensuring that it lays flat and inside the entire groove.
4. Inspect the O-ring again, make sure there is no foreign materials.
5. After installing the port, lift up the entire system and inspect where the housing back and port meet the housing. There should be a thin, uniform gap with no extruded O-ring.

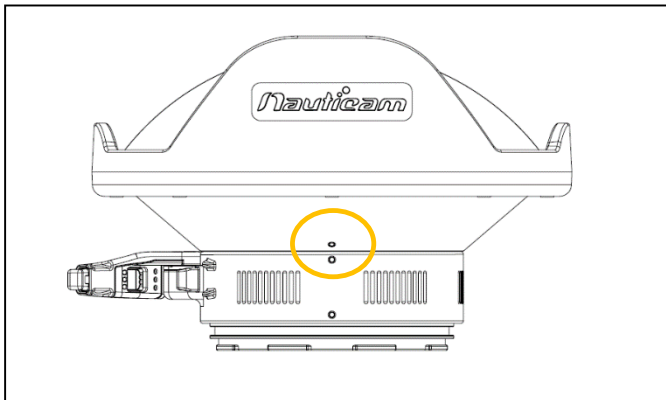
# MOUNT THE EXTENSION RING TO A PORT



1. Press the grey extension ring unlock button, then press the red extension ring lock safety button.

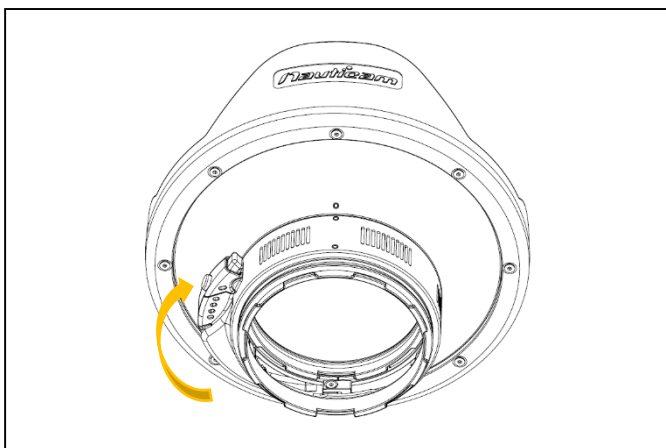


2. Turn the locking lever to release position as shown.



3. Align the alignment "O" mark of the extension ring and the port.

Gently push the extension ring into the port until it cannot go in any further



4. Lock the extension ring into place by turning the extension ring locking lever to the inward lock position and when a "click" sound is heard.

# SPECIFICATIONS

## #37430 N100 Extension Ring 30 II

Dimensions:	125.4×110.2×41.3 mm
Extension length:	30 mm
Weight in air:	0.183 kg
Buoyance in water:	0.11 kg
Depth Rating:	150 m

## #37432 N100 Extension Ring 40 II

Dimensions:	125.4×110.2×51.30 mm
Extension length:	40 mm
Weight in air:	0.196 kg
Buoyance in water:	0.18 kg
Depth Rating:	150 m

## #37431 N100 Extension Ring 35 II

Dimensions:	125.4×110.2×46.3 mm
Extension length:	35 mm
Weight in air:	0.190 kg
Buoyance in water:	0.14 kg
Depth Rating:	150 m

## #37433 N100 Extension Ring 50 II

Dimensions:	125.4×110.2×61.3 mm
Extension length:	50 mm
Weight in air:	0.214 kg
Buoyance in water:	0.27 kg
Depth Rating:	150 m

### Remark:

Nauticam supports only e-manuals. Please download corresponding product manuals on google drive <https://bit.ly/Nauticammanual>, or contact us for e-manuals.

# CARE AND MAINTENANCE

- Soak the housing system in fresh water after each use, during which all control buttons/knobs should be operated a few times to avoid the accumulation of salt residue; wipe the housing with a towel before opening.
- After removing the housing from the rinse tank, carefully press the housing lock safety button a few times to avoid the accumulation of salt residue.
- After each day of diving, it is advisable to have both the housing main O-ring and port O-ring removed from their grooves with the O-ring remover and inspected for damage. Also check that the O-ring retains its original circular shape; never stretch the O-ring excessively or remove it with a sharp object. The O-ring groove should be cleaned to ensure it is free from any salt deposit or foreign material; lightly coat the O-ring with the provided lubricant before reinstalling it in the groove. A damaged O-ring should be discarded immediately and replaced only with one that is provided by NAUTICAM.
- Blow off dust with an air blower or clean antistatic brushes from optical surfaces.
- Remove dust and other foreign matter from the dome port cover/cap before attaching them.
- Use clean, lint free, and soft single-use paper based optics cleaning tissues/pads and avoid abrasive particle contamination of your cleaning supplies and cloths (e.g. by sand) (Dry and clean the dome surface with a microfiber cloth. / Do not use any kind of abrasive solutions to clean the dome surface.)
- When you've finished washing your optical product, wipe it gently with a microfiber cloth and allow to dry in the shade or a cool room.
- When you've finished washing your optical product, wipe it gently with a microfiber cloth and allow to dry in the shade or a cool room.
- Always store your optical product in the provided pouches or containers when not in use.
- Store the optical product in a dry and clean place.
- After rinsing the housing, be careful not to drip salt water on the dome port or housing if you are still wet from diving.