

NA - E2F

For Z CAM E2-M4/S6/F6/F8 Cinema Camera

PN 16505

User Manual
Housing
N120 Video Housing

Introduction	2
Package Contents	2
Important Instructions	3
Part Names and Functions	4
Opening the Housing	7
Closing the Housing	8
Preparation for Use	9
Recommended Accessory	15
Care/Storage	18
Warranty	19
Specifications	20

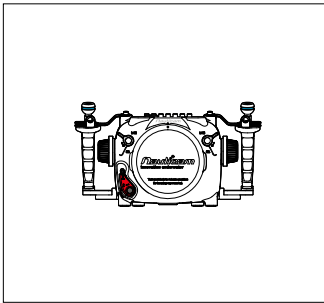
INTRODUCTION

Thank you for purchasing this Nauticam product.

Before using the product, please read this manual thoroughly to familiarize yourself with full scope of functions on the product as well as ensuring that you will use the product correctly.

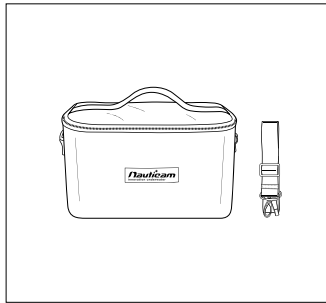
PACKAGE CONTENTS

Make sure that you have all the included items listed below before using this product. If some items are missing or damaged, contact your local Nauticam dealer.

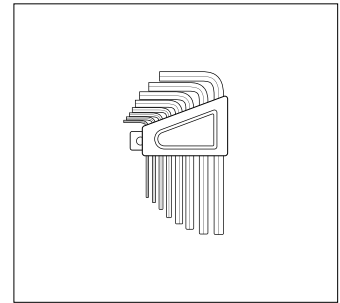


NA-E2F

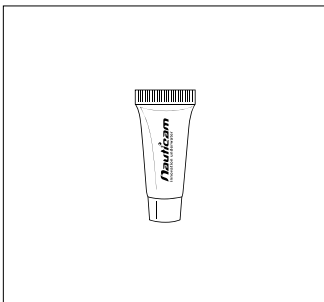
(2 x Handles with Mounting Balls, 1 x Housing Cap, 2 x Stainless Steel Handle Brackets)



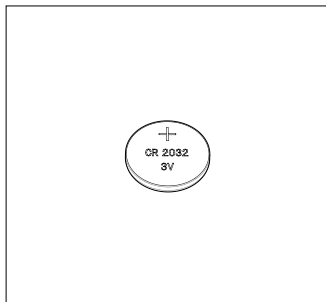
Padded Travel Case



Allen key set

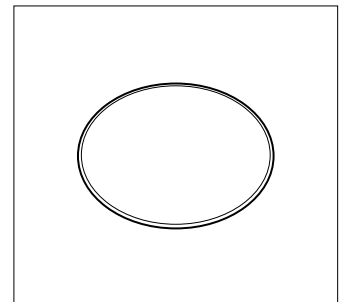


Lubricant



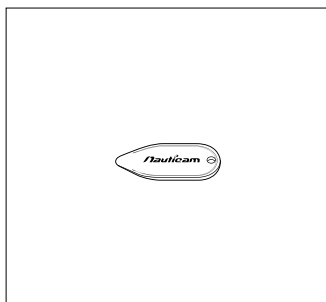
Panasonic CR2032 Battery

(pre-installed for Moisture Alarm)

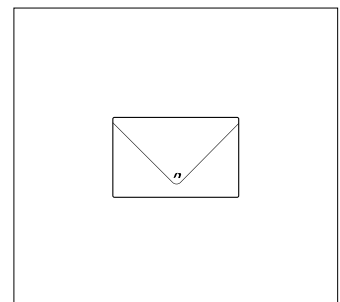


Spare Main O-ring

After purchase, we suggest that you reuse all packaging materials for future travelling.



O-ring Remover



Manual Instruction Card

IMPORTANT INSTRUCTIONS

1

Water-tight test of the housing (without camera inside) before usage is recommended as well as any O-ring renewal and port change.

2

Do not seal the housing when travelling by air as this may lead to a pressure difference between the atmosphere and inside the housing.

3

Only the accessories specified by Nauticam must be used. Third-party accessories may result in malfunctions or damage to the product.

4

Use only Nauticam lubricant on silicone rubber O-ring.

5

Do not stretch any O-rings excessively. Only remove it using Nauticam O-ring remover.



6

Discontinue use immediately when there is a sign of leakage.

7

Do not attempt to remove parts of the housing yourself. Repairs must be done at authorized service centers only.

8

The housing should be positioned on the a stable and safe surface on land.

9

Do not expose the housing in direct sunlight for a prolonged period.

10

Do not open the housing in wet or sandy environment. Protect the housing from moisture and debris in order to prevent malfunction or leakage.

11

Prevent any sand or dust or water penetration inside the housing. Be extra careful when changing lens and inserting or removing the camera.

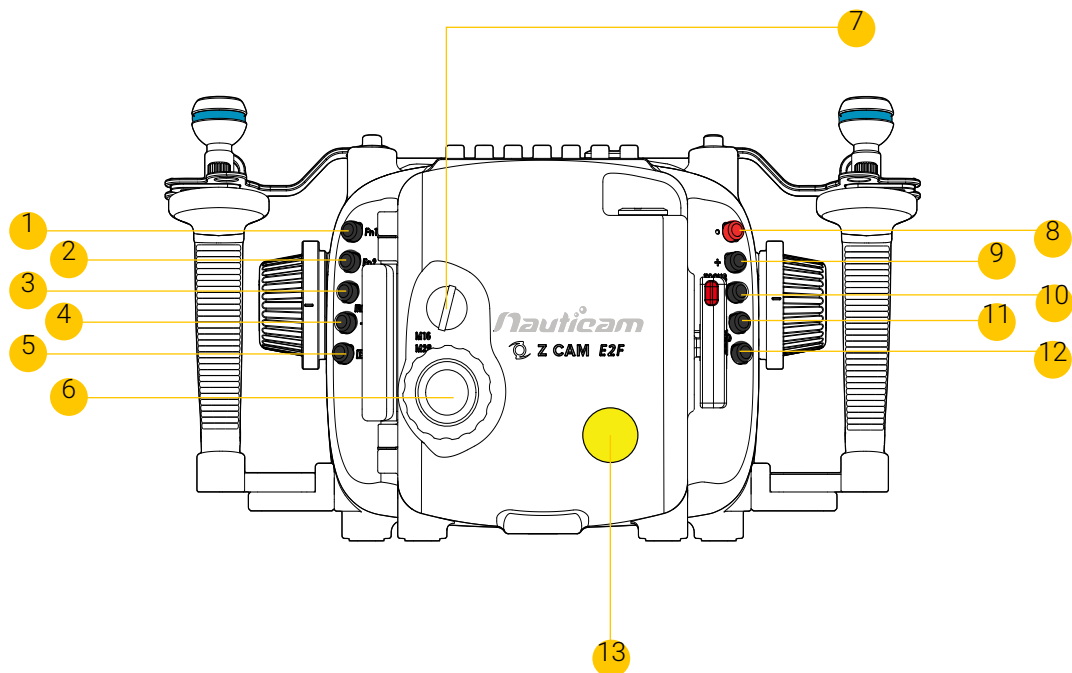


12

This product is not intended for use by children, or persons with reduced physical, sensory or mental capabilities, or lack of experience and knowledge, unless they are supervised and/or given instruction by a responsible person concerning use of the product to ensure that they can use it safely.

PART NAMES AND FUNCTIONS

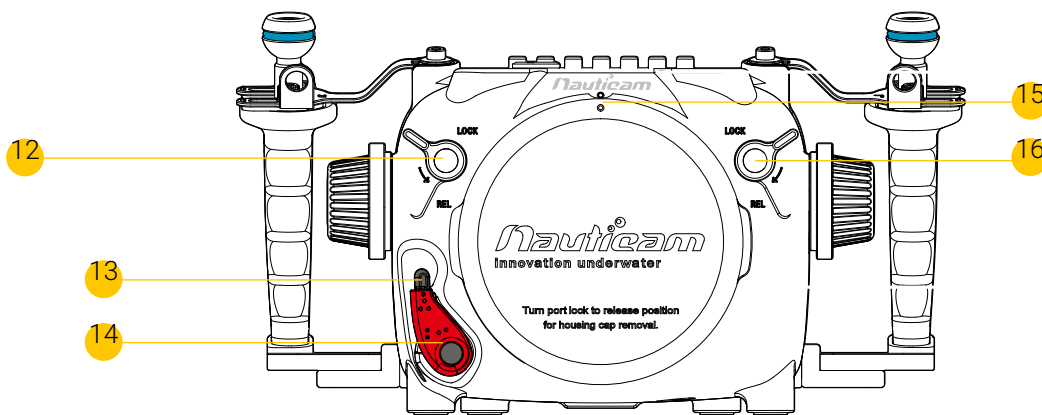
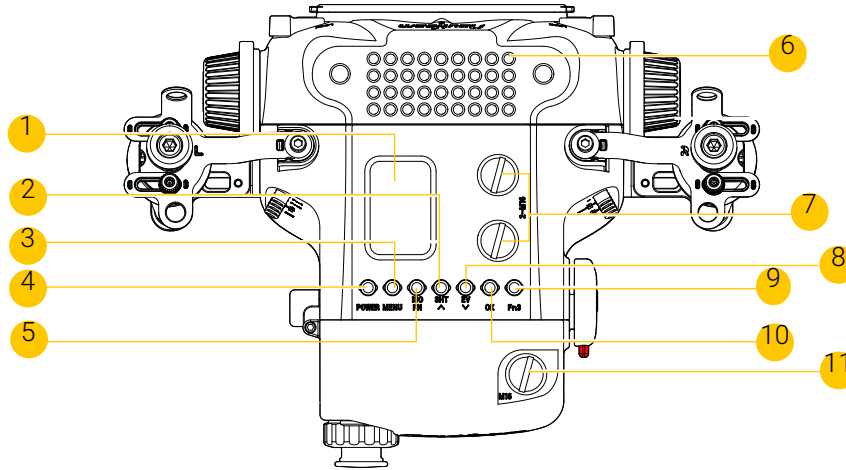
Rear View



- | | | | |
|----|-----------------------|----|--------------------|
| 1 | Fn1 button | 2 | Fn2 button |
| 3 | IRIS + button | 4 | IRIS - button |
| 5 | Playback button | 6 | M28 Accessory port |
| 7 | M16 Accessory port | 8 | REC button |
| 9 | Focus + button | 10 | Focus - button |
| 11 | eND + button | 12 | eND - button |
| 13 | Moisture alarm window | | |

PART NAMES AND FUNCTIONS

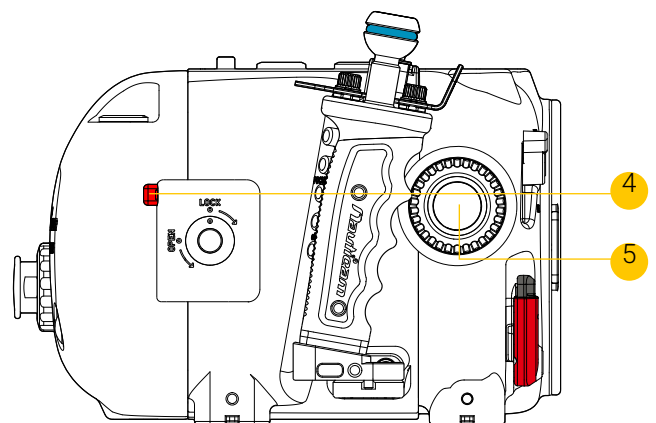
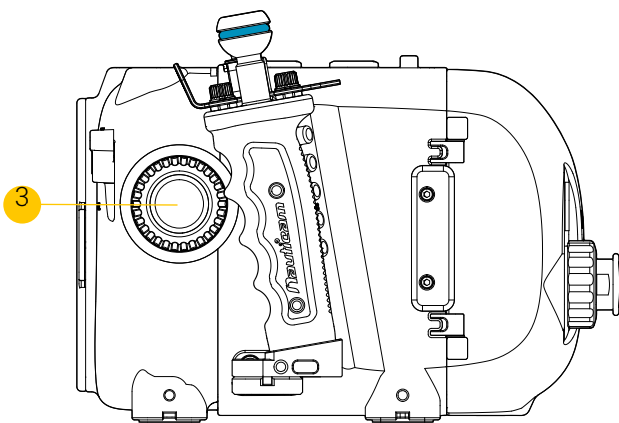
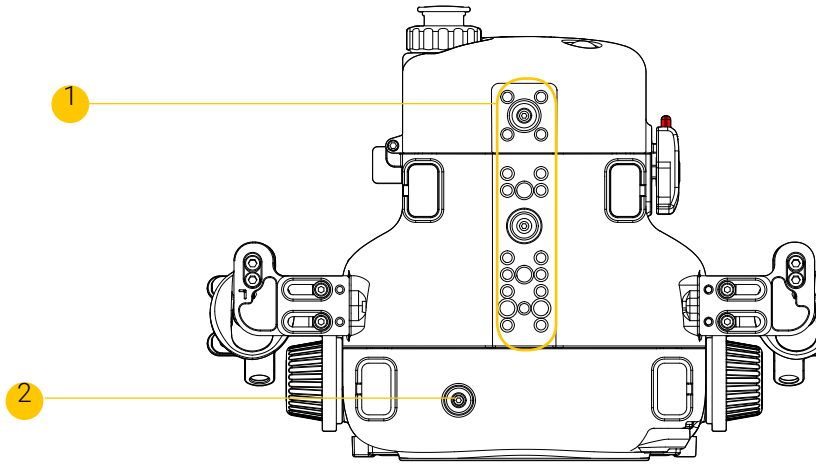
Top + Front Views



- | | | | |
|----|-------------------------|----|-------------------------------|
| 1 | LCD Window | 2 | Shutter / Up button |
| 3 | Menu button | 4 | Power button |
| 5 | ISO/FN button | 6 | 1/4"-20 size mounting threads |
| 7 | 2x M16 Accessory ports | 8 | EV / Down button |
| 9 | Fn3 button | 10 | OK button |
| 11 | M16 Accessory port | 12 | Zoom knob LOCK lever |
| 13 | Port lock safety button | 14 | Port locking lever |
| 15 | Port index mark | 16 | Focus knob LOCK lever |

PART NAMES AND FUNCTIONS

Back + Side Views



1 1/4" Threaded tripod holes

2 Zinc Anodes

3 Focus knob

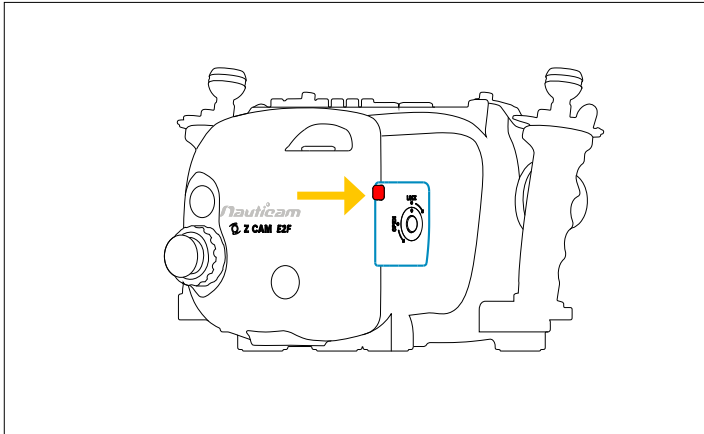
4 Housing unlock button

5 Zoom knob

OPENING THE HOUSING

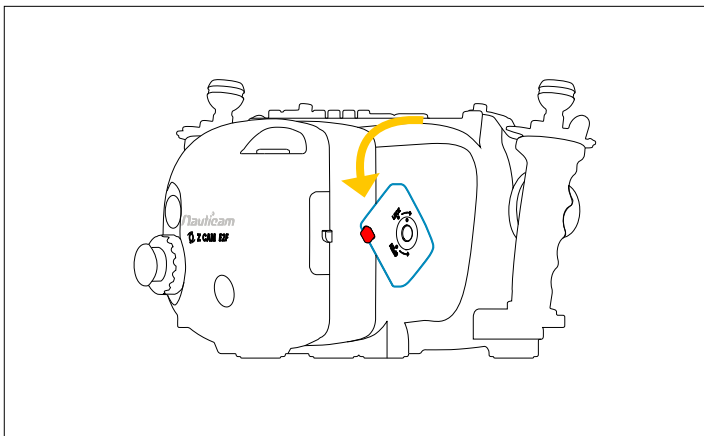
* drawings as illustrations only

1



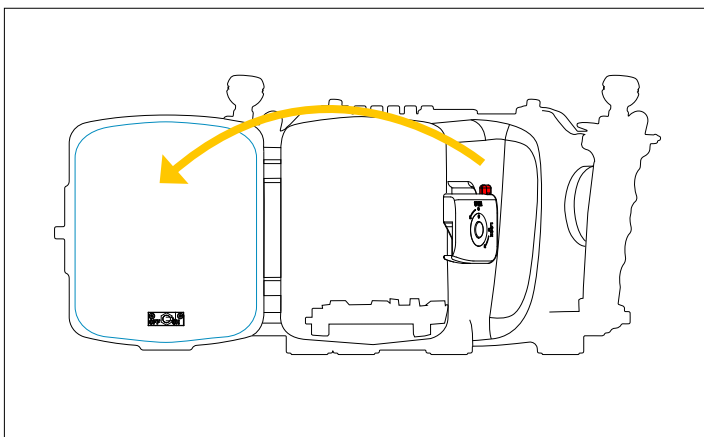
depress housing unlock button

2



turn housing lock latch
anti-clockwise to open the
housing

3

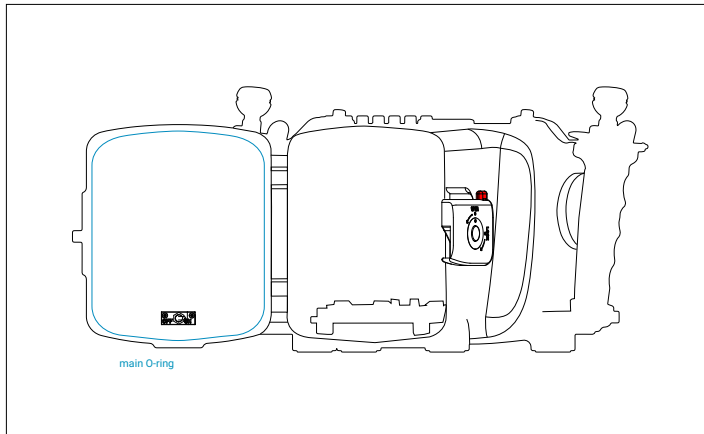


flip open the back housing
when lock latch is aligned to
'open' position

CLOSING THE HOUSING

* drawings as illustrations only

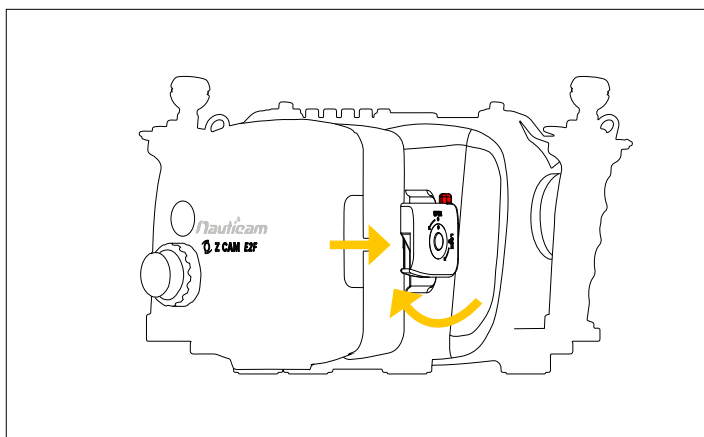
1



before closing the housing, clean and lubricate the main O-ring

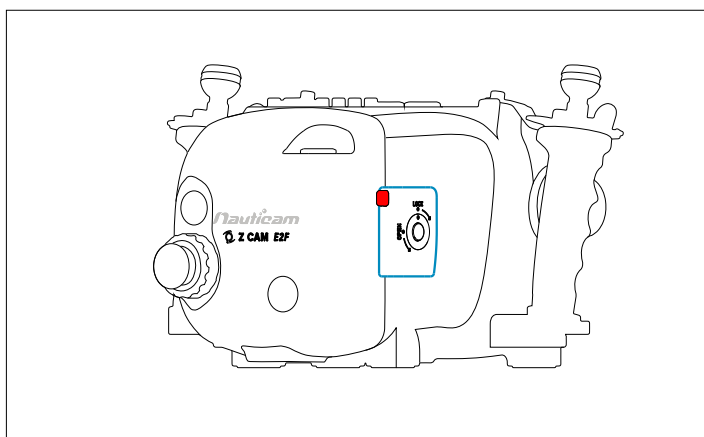
make sure nothing is caught between front and back housing and that they are fully aligned before locking

2



insert the housing shaft into the shaft hole and then rotate the lock latch clockwise until you hear and feel it click into place

3



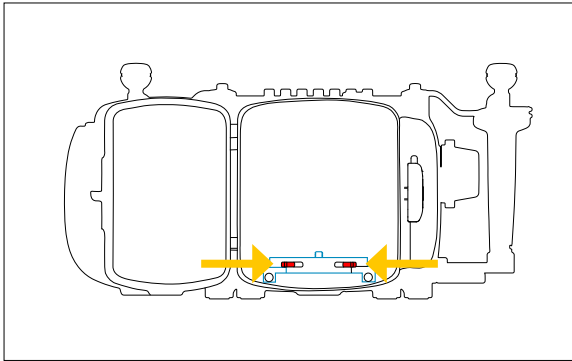
housing locked in place securely

PREPARATION FOR USE

* drawings as illustrations only

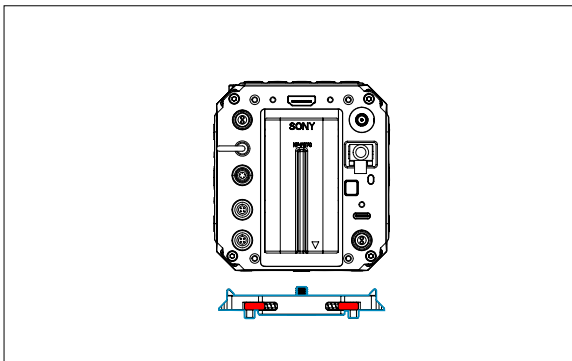
Installing the Camera

1



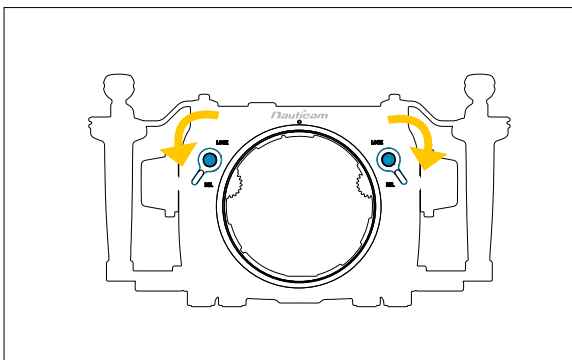
unlock camera tray lever and
remove the tray from the housing

2



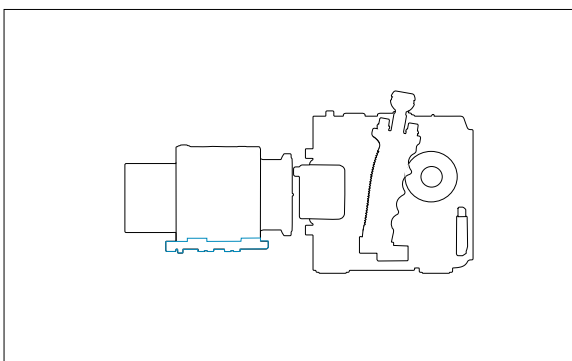
attach the camera tray by tightening
the tray screw into the tripod socket
of the camera

3



turn zoom and focus knob lock
levers to REL positions.

4



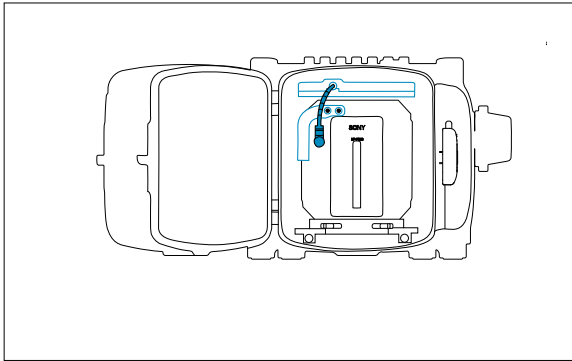
slide the camera tray back into
the housing along the tray rail

PREPARATION FOR USE

* drawings as illustrations only

Installing the Camera

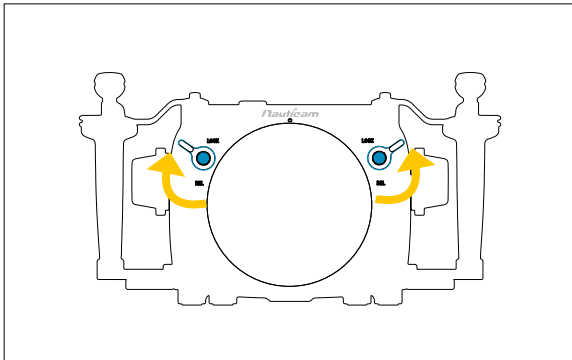
5



lock camera tray

Then, connect LANC control cable

6



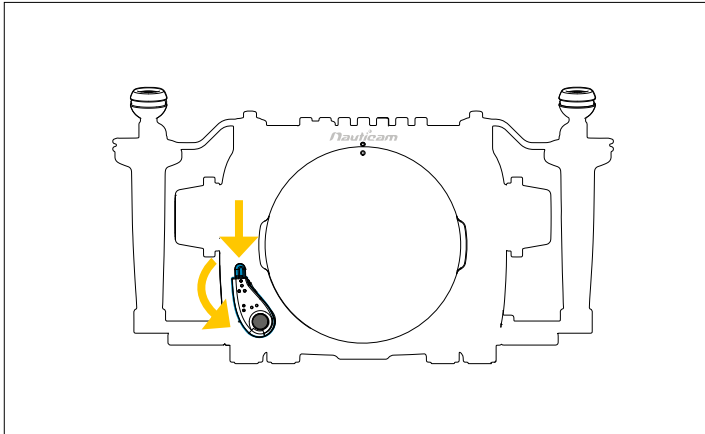
Place the zoom and focus knobs in place by turning the knob lock levers and make sure it is engaged with lens gears

PREPARATION FOR USE

* drawings as illustrations only

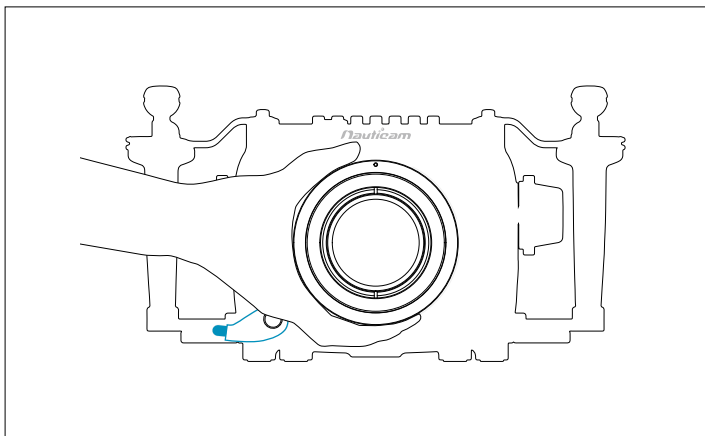
Port Mounting

1



depress port lock safety button
and rotate anti-clockwise

2

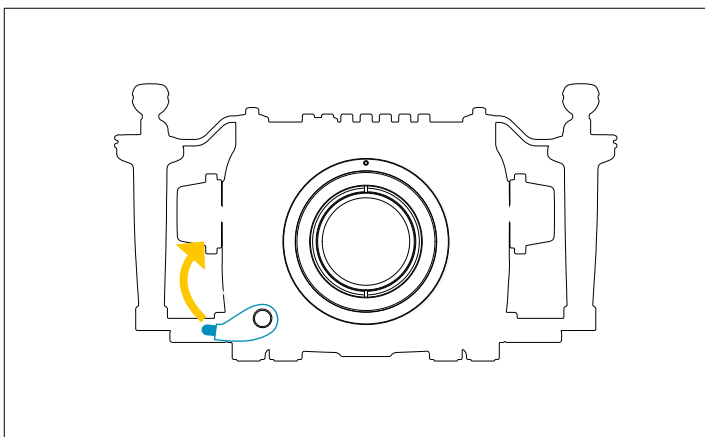


lubricant the port O-ring before
mounting

align index mark

push port assembly straight in

3

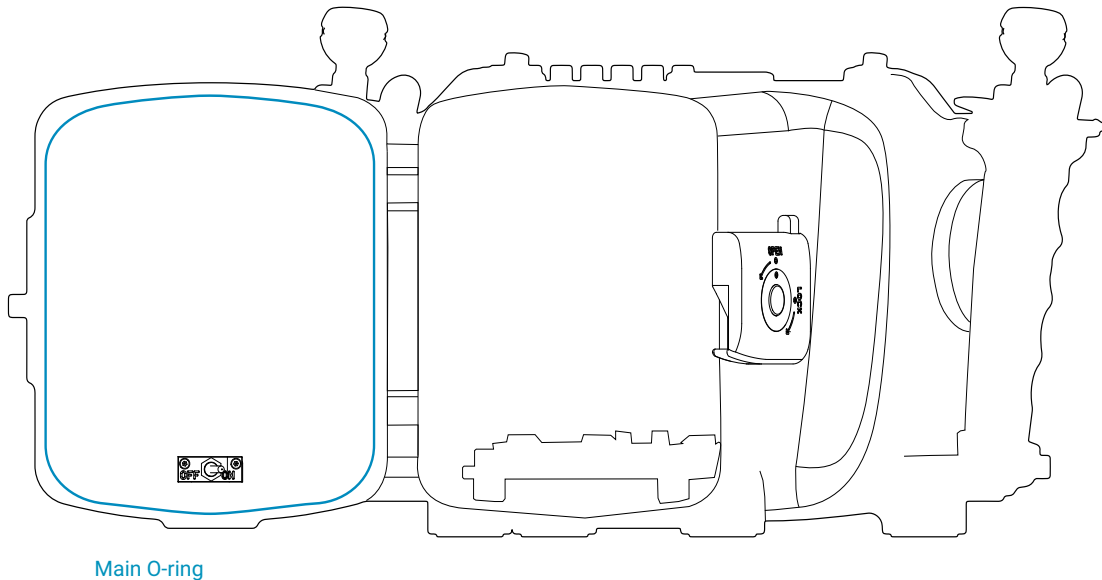


rotate locking lever clockwise to
lock

PREPARATION FOR USE

* drawings as illustrations only

Coating housing O-ring

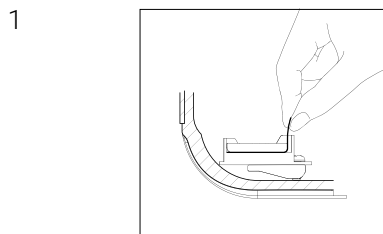
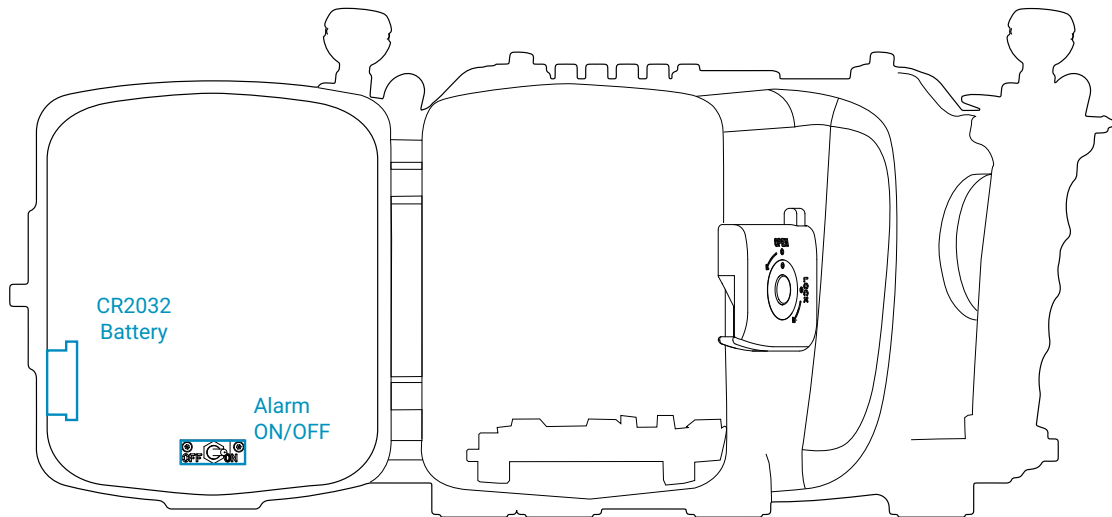


- 1
remove the main O-ring using an O-ring remover
- 2
clean the O-ring groove with a cloth and ensure that it is free from salt or other foreign materials
- 3
lightly coat it with provided lubricant
- 4
return the main O-ring by slowly pressing from one corner to the whole perimeter

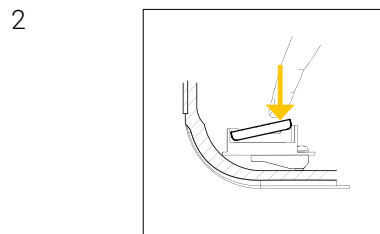
PREPARATION FOR USE

* drawings as illustrations only

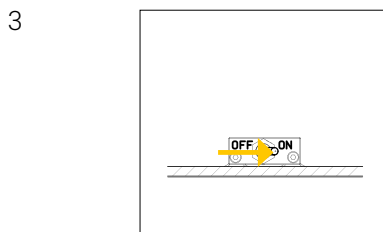
Setting up moisture alarm



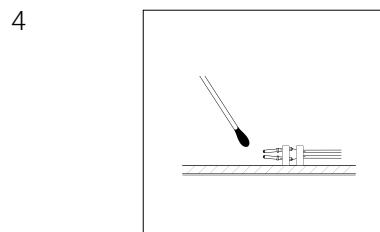
remove battery insulation film



press the battery down until it click into place



switch on the alarm
- the moisture alarm window will flash in **BLUE** when it is working correctly



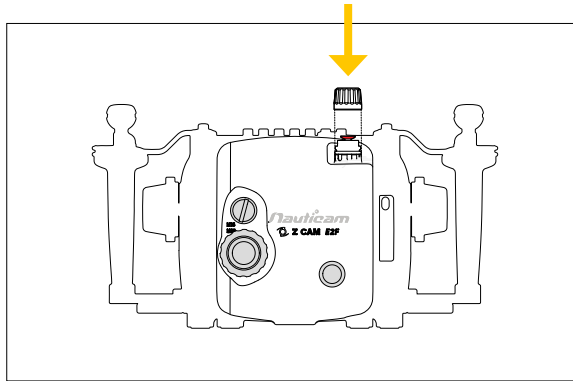
test the alarm
- connect the wires with a dampened cotton bud; the alarm will give a repeating 'beep' and the moisture alarm window will flash **RED**

PREPARATION FOR USE

* drawings as illustrations only

Changing lens/port after vacuum

1

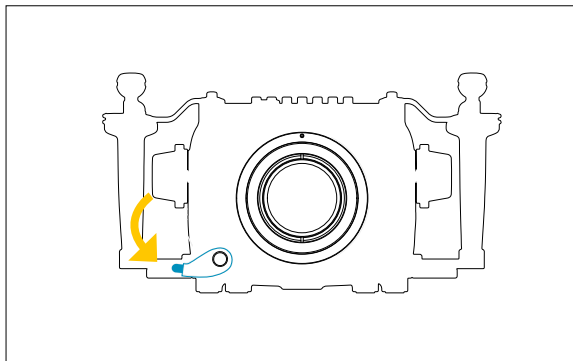


If using with vacuum valve :

remove the cap from the vacuum valve and press the red button to release pressure before unlocking port lock

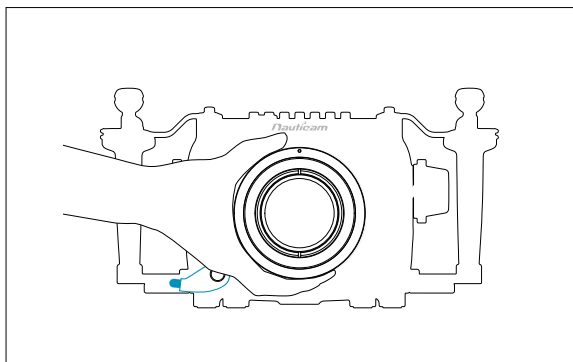
If using without vacuum valve, please follow from step 2

2



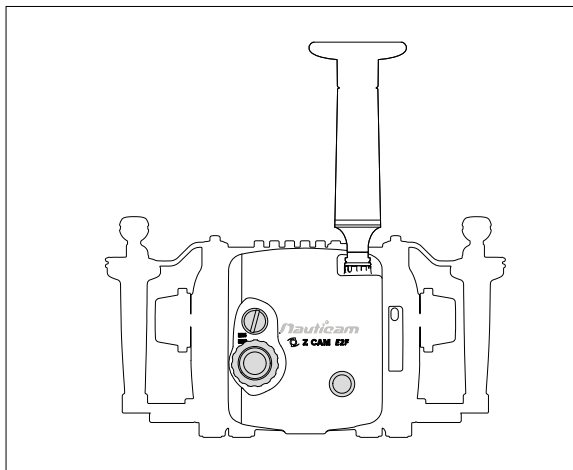
unlock port lock

3



After remove port assembly, change lens/port

4



reset vacuum valve system using hand pump then close the cap

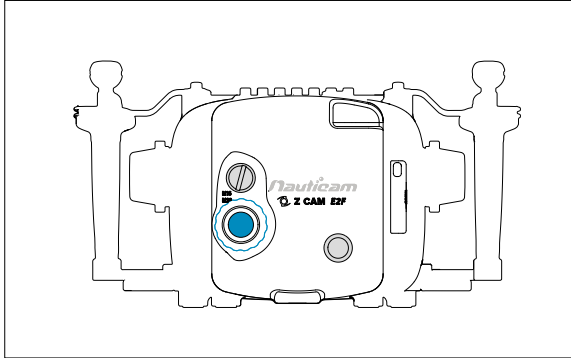
* please refer to page 17 on complete vacuum system guidance

RECOMMENDED ACCESSORY

* drawings as illustrations only

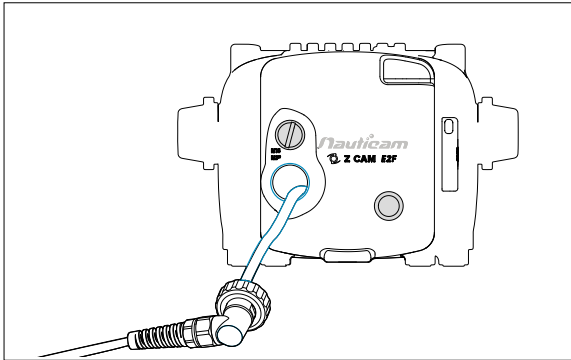
Connecting with external monitor (HDMI2.0 cable)

1



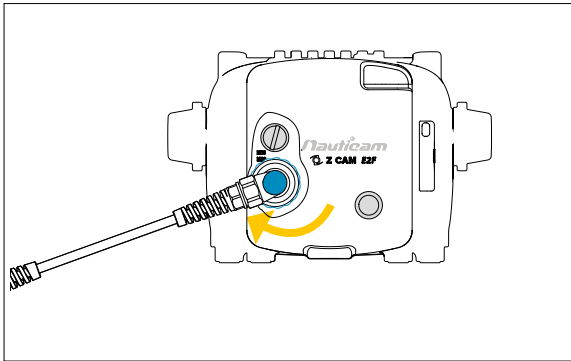
Unscrew M28 accessory port cap

2



Insert the HDMI 2.0 cable
#25079 M28A2R210-
M28A1R170 HDMI 2.0 Cable

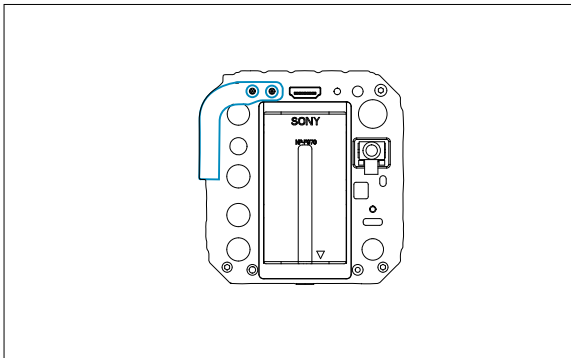
3



Gently push the cable into the M28
port opening of the housing, until it
cannot go in any further.

Then, tighten the HDMI 2.0 cable by
turning the threaded working ring to
clockwise direction.

4



The HDMI cable clamp* (optional)
is to position the cable properly to
avoid excessive stress on the
cable.

Before installing the camera on the
housing, screw it on the camera as
shown.

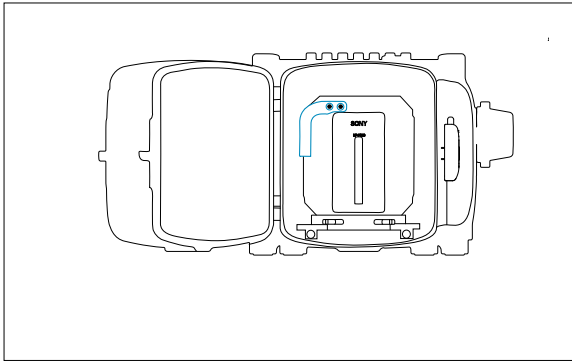
*** 25088 Cable Clamp for NA-E2
Housing with Screws**

RECOMMENDED ACCESSORY

* drawings as illustrations only

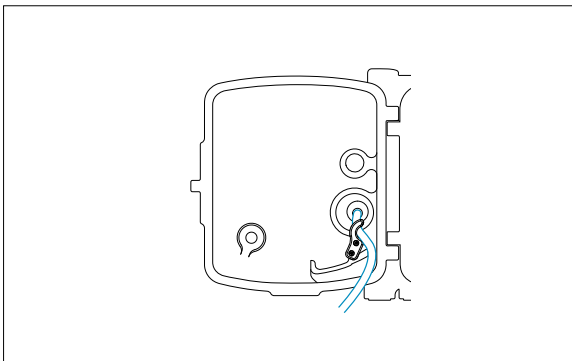
Connecting with external monitor (HDMI2.0 cable)

5



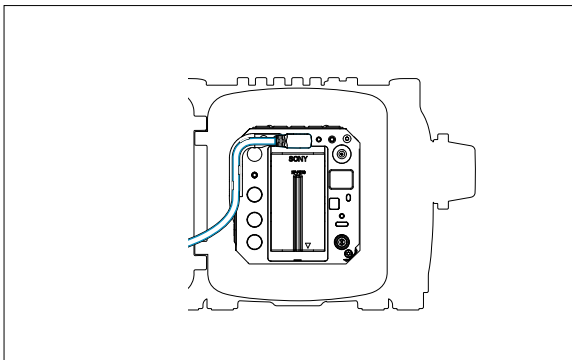
Install the camera with battery by sliding the attached saddle along the rail in the housing until it cannot go in any further

6



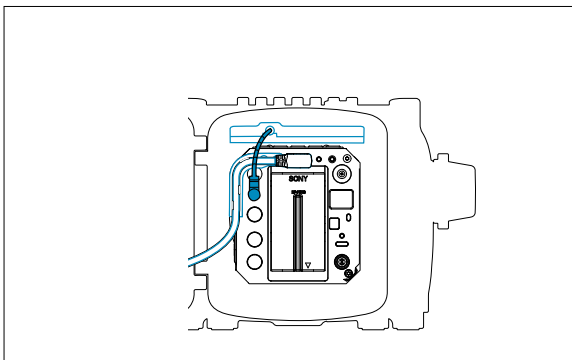
Use the positioning guide on the rear housing to hold the cable in position.

7



Connect the HDMI 2.0 cable through the camera's HDMI port.

8



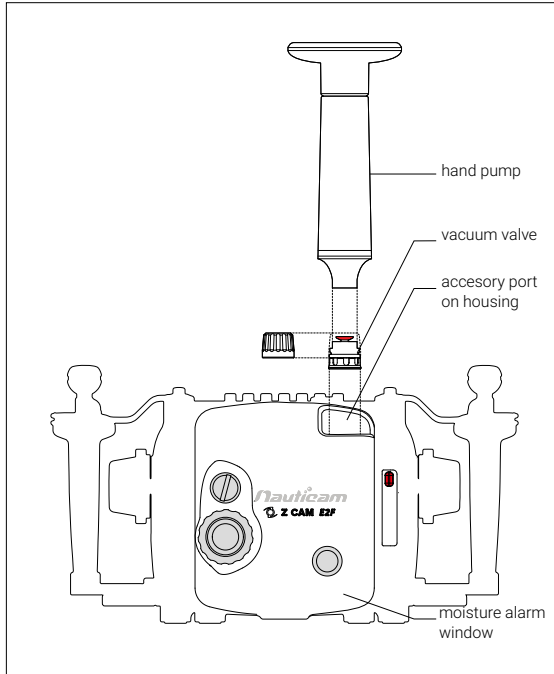
Connect the LANC control cable

RECOMMENDED ACCESSORY

* drawings as illustrations only

Vacuum valve system

1

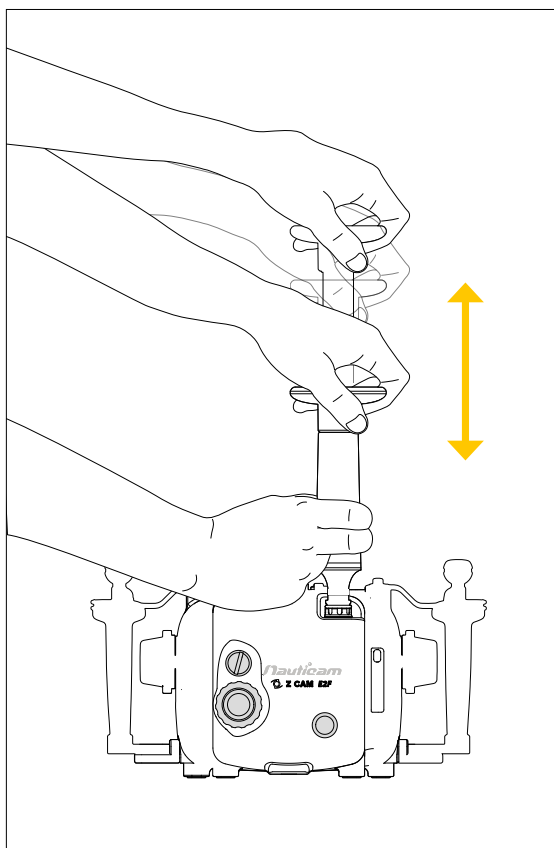


remove the plug of M16 accessory port from the housing

remove the cap from the vacuum valve

slightly lubricate the o-ring and tighten the vacuum valve to the housing with the tool provided








2



connect hand pump to the valve and pump several times until it reaches the target vacuum level

close vacuum valve cap

Moisture alarm window colour indication :

Steady Blue		device is turned on
Flashing Blue		standby mode, ready for pumping
Steady Green		target vacuum level is reached
Flashing Yellow		vacuum level is dropping
Flashing Red		vacuum is totally lost, circuit stalled until device is switched off
Alternating Blue and Red		vacuum is totally lost, circuit stalled until device is switched off
Steady Red		out of battery

** It is recommended to leave the housing for at least 20mins to ensure it is sealed. If the LED light changes from steady green light to rapidly flashing yellow light, that means there is a leakage and please check every O-ring and conduct the vacuum test again.*

CARE/STORAGE

1

Soak the housing system in fresh water after salt water usage

2

Operate all controls and buttons at least 3 times while immersed in fresh water

3

We recommend cleaning and inspecting the main O-ring each time after diving for any damage and every time the housing is opened.

4

Protect the housing with robust and shock-proof travel case during transportation. Do not travel with camera inside housing.

5

We recommend to ship the housing to our service centers for a complete overhaul after 200 dives/every 2 years.

WARRANTY

All NAUTICAM Housing Products and Viewfinders are warranted against any material and manufacturing defects for two years from the date of purchase for consumer use. NAUTICAM Optical Accessories are warranted against material and manufacturing defects for a period of one year, and HDMI cables carry a year warranty.

This warranty only applies to products purchased from authorized NAUTICAM dealers and does not extend beyond the original retail purchaser.

To return your product for service, please contact your regional authorized service center(s). Please note that this warranty only applies when the product is purchased in the territory where the service center is located.

NAUTICAM accepts no liability for any damage to and defects in the housing caused by improper use and/or poor maintenance; it is the responsibility of the owner to carefully follow the instructions in our manuals.

NAUTICAM does not hold responsibility for damage, of any nature, to any equipment used with and/or placed within our products.

NAUTICAM accepts no liability for any loss of captured images or the inability to capture images even if it is due to the malfunctioning of our products.

Unauthorized modifications and/or repairs of our products will automatically invalidate the warranty.

SPECIFICATIONS

Construction

Housing body	Hard Anodized Aluminium Alloy
Display window	Abrasion Resistant Polycarbonate

Dimensions

Width	336 mm
Height	185 mm
Depth	242 mm

Weight

In air	3.58 kg
In water	-0.27 kg (w/ camera & battery)

Depth

Rating	100 m
--------	-------

Port specifications

Port mount	N120 Cinema System
Port accessories	1x M28, 3x M16

HDMI connectivity accessories (2.0)

25079 M28A2R210-M28A1R170 HDMI 2.0 Cable
25088 Cable Clamp for NA-E2 Housing with Screws

Monitor options

17922 Nauticam Atomos Ninja V Housing for Atomos Ninja V 5" (excl. HDMI 2.0 cable)
--

HDMI connectivity accessories (1.4)

25033 Standard HDMI bulkhead with M16 thread
16243 HDMI A-D Cable in 0.5m Length for RED DSMC2/C200/EVA1 (for internal connection) *25033, 25046 are included in monitor housing

Monitor options

17906 NA-502H housing for Small HD 502 5-inch HD monitor
17920 NA-502B-H Housing for SmallHD 502 Bright Monitor
17923 NA-Shinobi-H Housing for Atomos Shinobi 5.2" 4K HDMI Monitor with HDMI 1.4 input

Wet Lens Compatibility

Macro	81201	Super macro convertor 1 (SMC-1, 2.3x magnification)
	81202	Super Macro Converter 2 (SMC-2, 4x Magnification)
Macro to Wideangle	86201	Macro to Wideangle Lens 1 (MWL-1, 150 deg. FOV with full frame 60mm macro lens)
	87302	EMWL Set#2 (incl. focusing unit #2, 150mm relay lens & 3 objective lenses)
Wideangle	85201	0.36x Wide Angle Conversion Port with Aluminium Float Collar (incl. N120 to N100 port adaptor)
	85204	0.57x Wide Angle Conversion Port - 2 (WACP-2) 140 Deg. FOV with Compatible 14mm Lenes (incl. float collar)

Optional accessories to use with wet lens

83214 Bayonet Mount Adaptor for SMC/CMC
83250 M67 to Bayonet Converter II
83251 M77 to Bayonet Converter II
86222 Double Flip Holder for MWL-1
87501 Flip Holder for EMWL
87515 M67 Mount to EMWL Focusing Unit
87518 Strobe Mounting Brackets for EMWL Relay Lens

Recommended accessories

25625 M16 Vacuum Valve II (Pushbutton Release)
25221 M10 strobe mounting ball for housing
16232 0.25kg Trim Weights for 16227 (4pcs)
16233 0.5kg Trim Weights for 16227 (4pcs)
16261 Ethernet Surface Cable Set in 45 meter length (incl. housing lemo bulkhead with integrated internal cable and external Duracell cables)
16262 Replacement of housing Lemo bulkhead with integrated ethernet Cable
16263 Ethernet Surface Cable Set in 5meter length (incl. housing lemo bulkhead with integrated internal cable and external Duracell cables)
16264 Housing Skids for NA-E2F
17959 Housing Mounting ball with 1/4" screws

Nauticam International Ltd.

Rm 2203, CCT Telecom Bldg,
11 Wo Shing St,
Fo Tan,
Hong Kong

Tel. +852 - 26902711
Fax. +852 - 26909778
URL. www.nauticam.com
Gallery. www.nauticam.smugmug.com